

Installation Instructions

VERTICAL EXHAUST DUCT, ZETAFRAME

Safety Information:



WARNING: Be sure to use sufficient personnel to safely assemble and install the exhaust duct.

Intended Use:

Use indoors only, in environmentally controlled areas. Do not use outdoors, in harsh environments or in air-handling spaces.

Tools Required

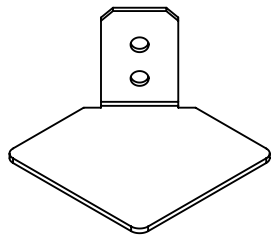
#2 Phillips screw driver
13mm Socket wrench
T25 Torx Bit

Installation Notes

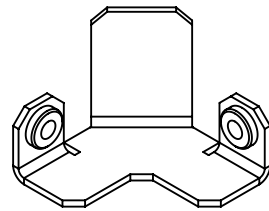
The Vertical Exhaust Duct (VED) is available for 23.6" (600 mm), 27.6" (700 mm), 29.5" (750mm) and 31.5" (800 mm) wide cabinets and with frame depths from 41.3" (1050 mm) up to 47.2" (1200 mm).



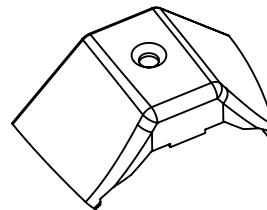
4 each
Top duct seals



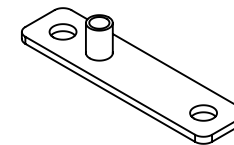
4 each
Filler bracket



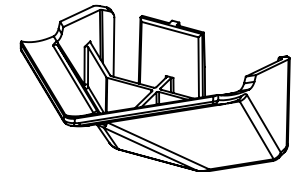
2 each
Extension stop bracket



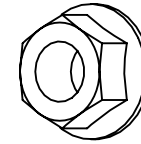
4 each
Corner lock Slide



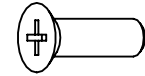
4 each
Corner lock plate



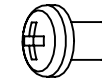
4 each
Seal cap



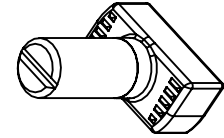
4 each
M8 Nut



4 each
M5 X 16mm Screw



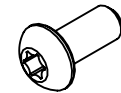
4 each
M5 X 8mm Screw



4 each
M8 Bolt



2 each
M6 Cage Nut
w/ M6 X 16mm Screws



4 each
M5 X 12mm
Taptite Screw

Installation Instructions

VERTICAL EXHAUST DUCT, ZETAFRAME

Exhaust duct assembly sequence:

1. Expand the Lower Duct and place on the floor as shown, with bent flanges down (Fig. 1).
2. Expand the Upper Duct. The top of the Upper Duct has angled flanges. The bottom of the Upper Duct will come with seals pre-installed (Fig. 2).

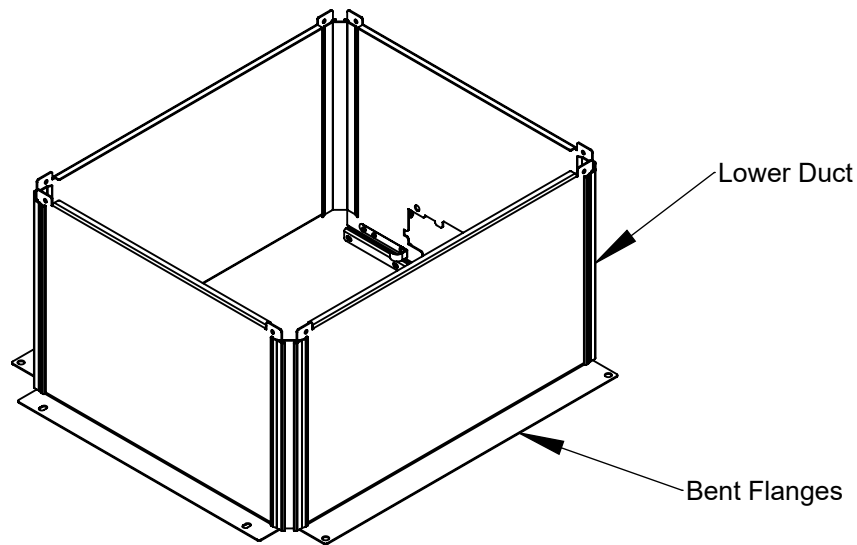


Fig. 1

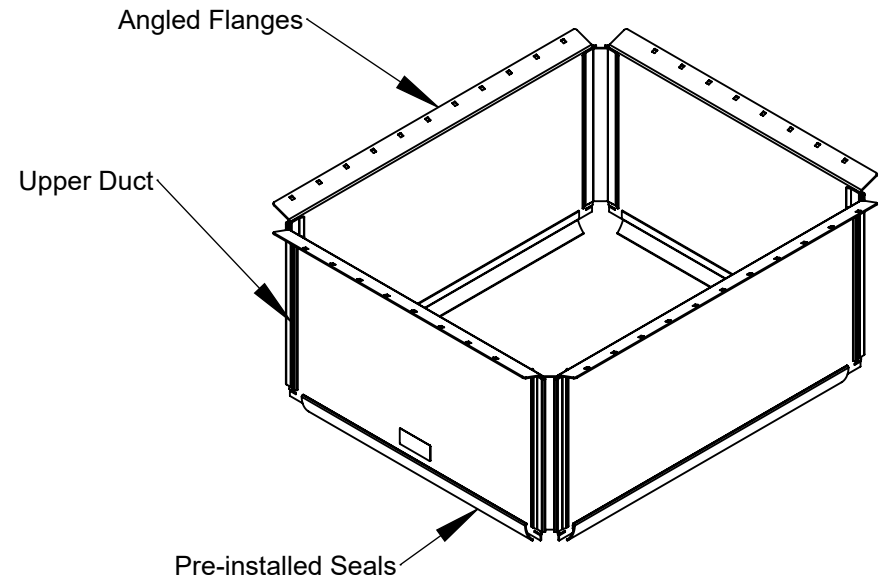


Fig. 2

Installation Instructions

VERTICAL EXHAUST DUCT, ZETAFRAME

Exhaust duct assembly sequence:

3. Slide the Upper Duct over the Lower Duct and push down. Note the Lower Duct will be inside the Upper Duct (Fig. 3).

4. Attach two extension stop brackets into the Lower Duct, as shown, at two opposite corners by using two M5 X 8mm Screw (Fig. 4) for each bracket.

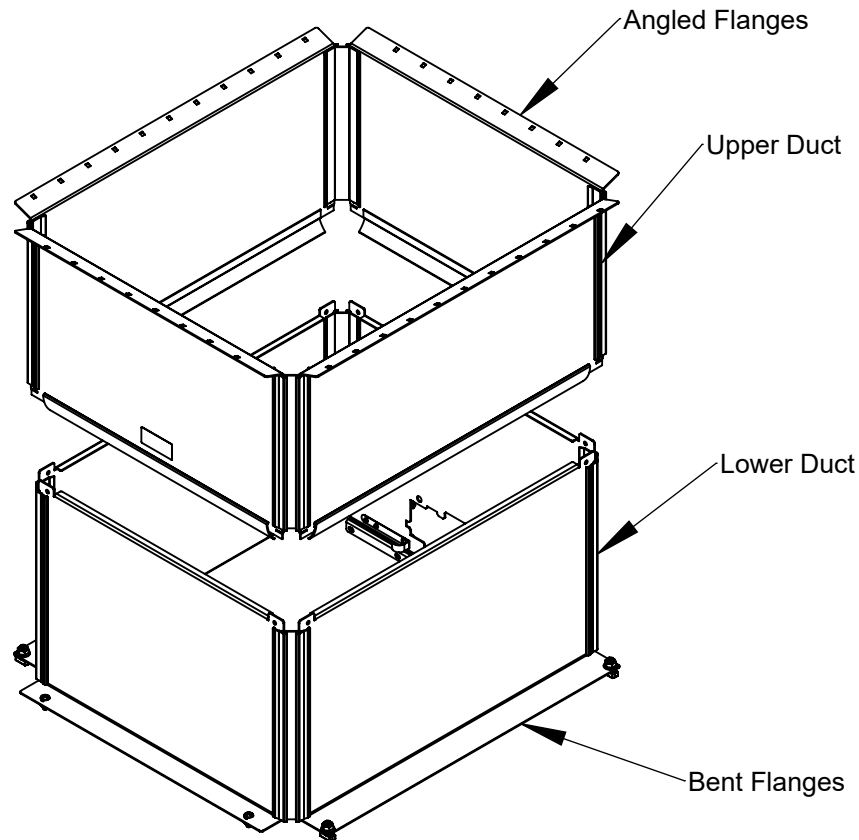


Fig. 3

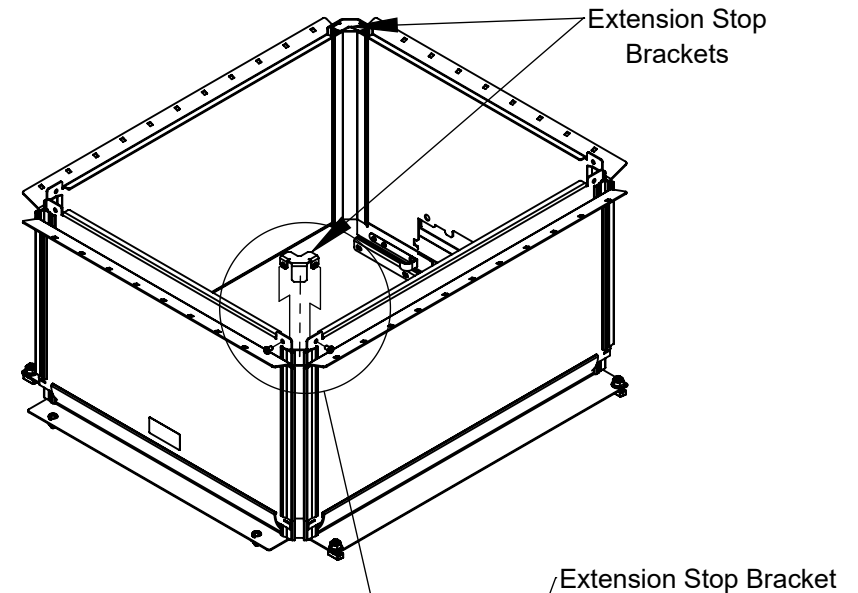
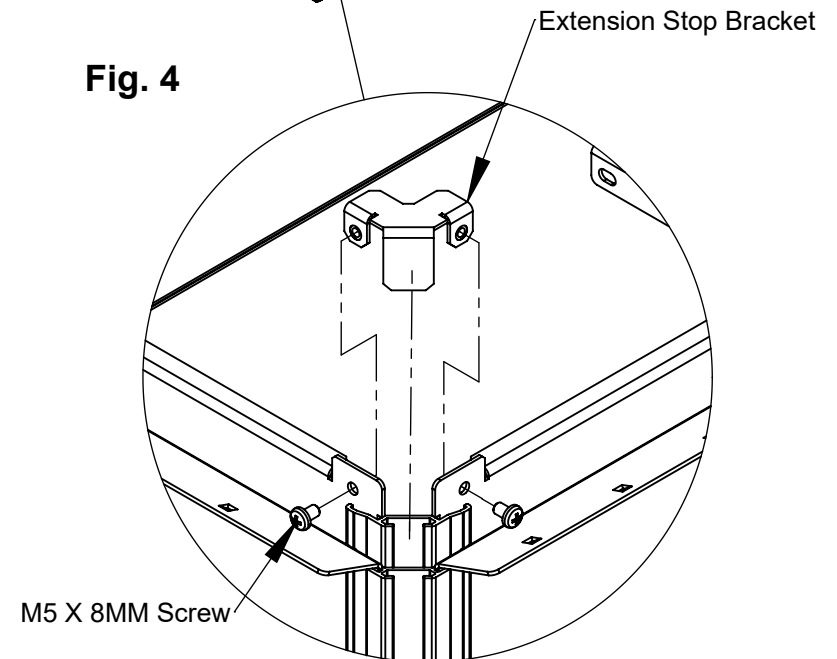


Fig. 4



Installation Instructions

VERTICAL EXHAUST DUCT, ZETAFRAME

5. Position brush assembly with its guide pins onto the knockout opening using alignment holes (Fig. 5).

6. Push brush assembly onto opening until it snaps into place (Fig. 6 shows brush in completely assembled duct).

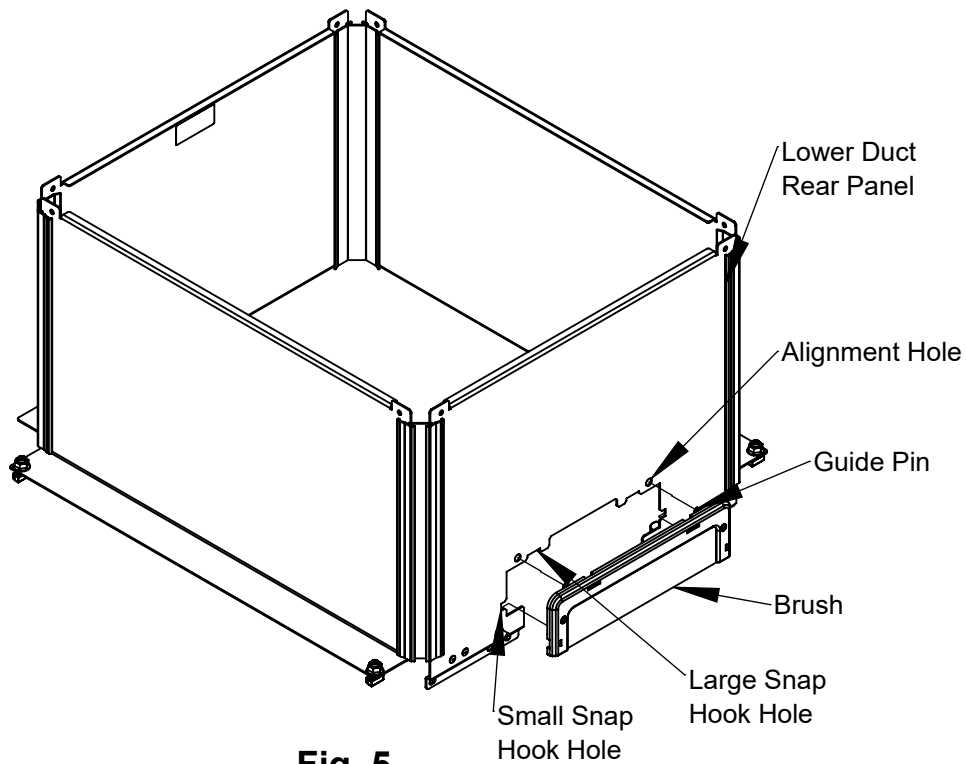


Fig. 5

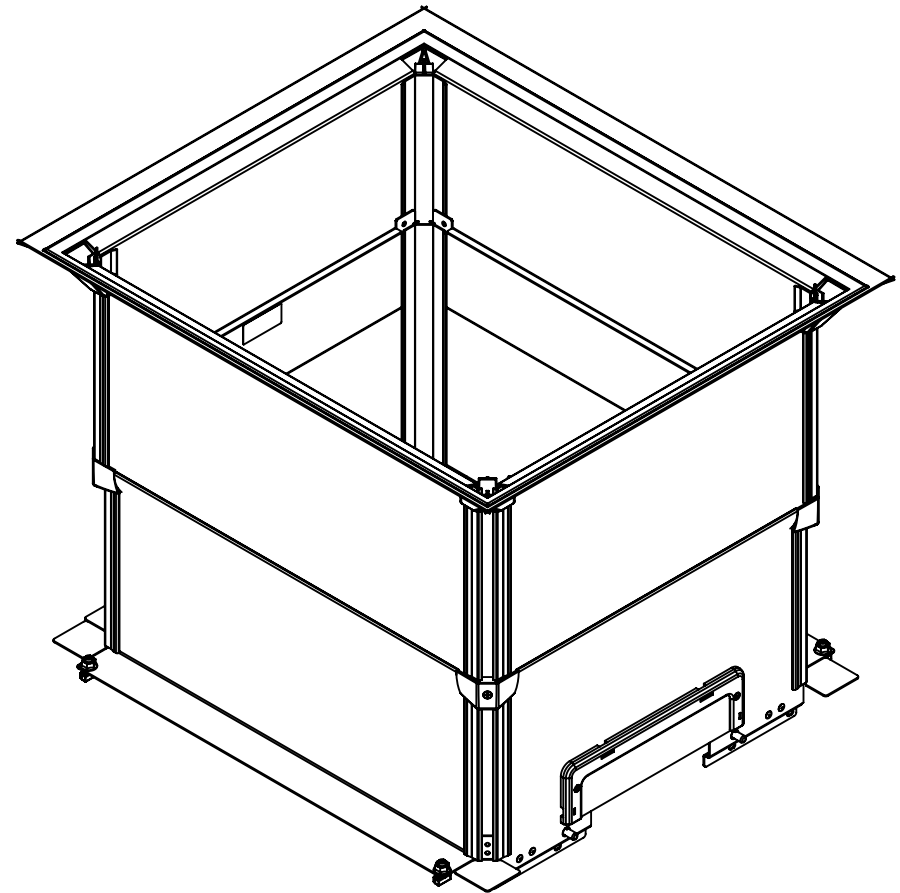


Fig. 6
VED Assembly with Brush

Installation Instructions

VERTICAL EXHAUST DUCT, ZETAFRAME

7. Turn the duct over (upside down) so that the mounting flanges on the lower duct face the top. Slide the Seal Caps onto the 4 corners of the outer duct in the orientation shown. Position the caps about mid-way down (Fig. 7).
8. Slide the Corner Lock Plate into the slot of the Lower (inner) Duct (Fig. 8).

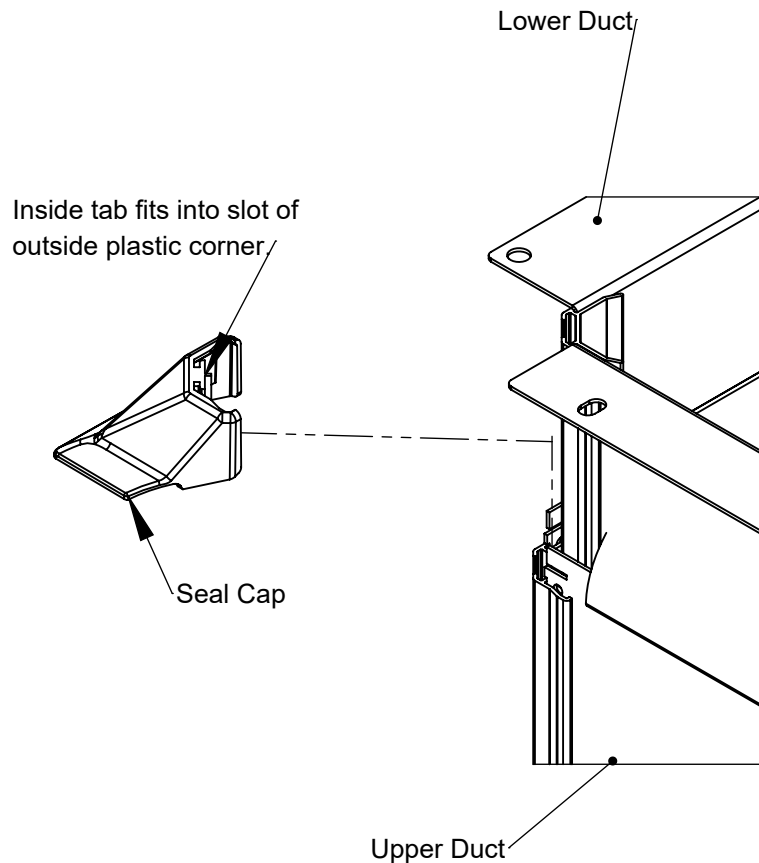


Fig. 7

9. Line up the ribs of the Plastic Lock with the slots in the Upper (outer) Duct (Fig. 8).
10. Fasten the Corner Lock Plate and Plastic Lock with the M5 X 16mm screw shown and tighten securely (Fig. 8).

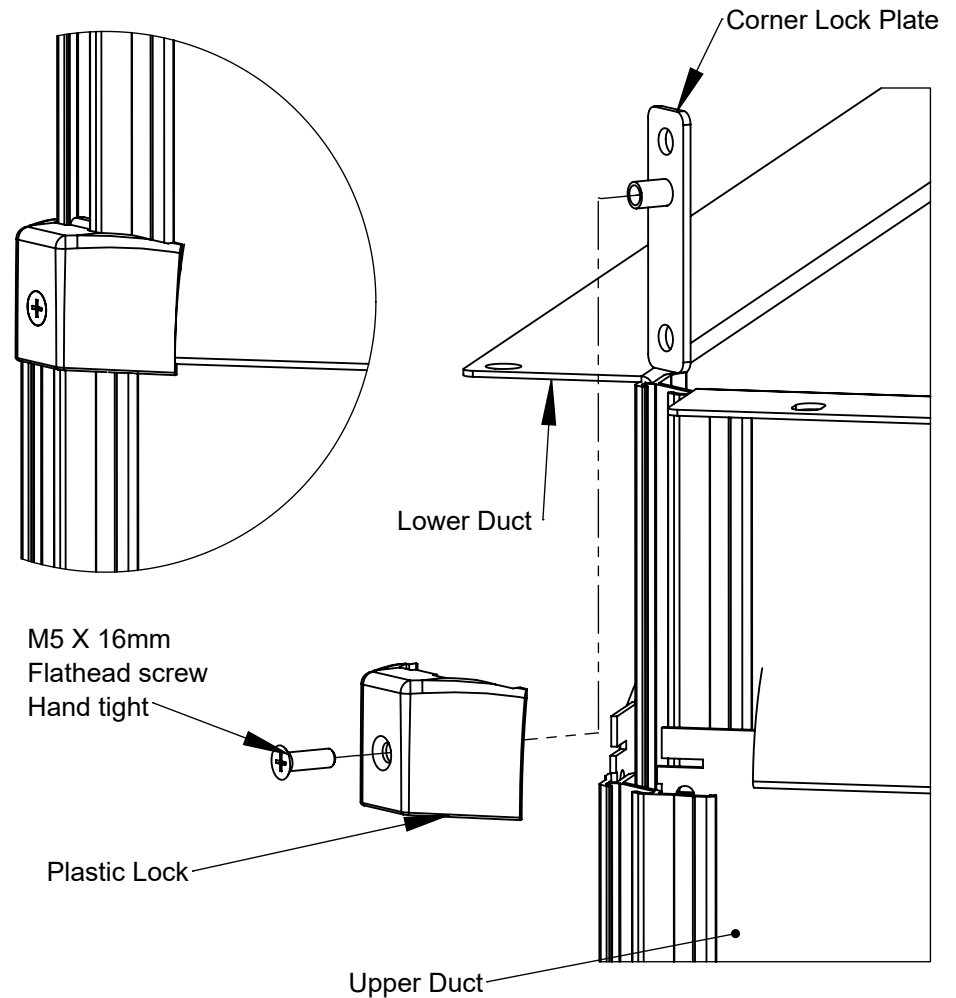
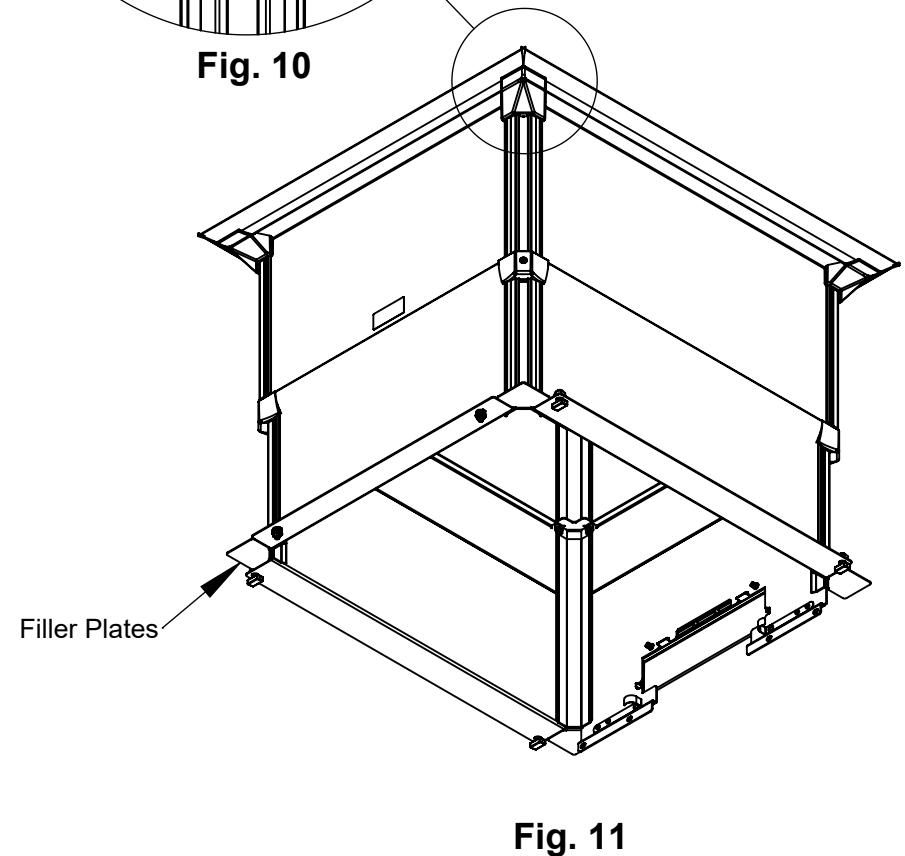
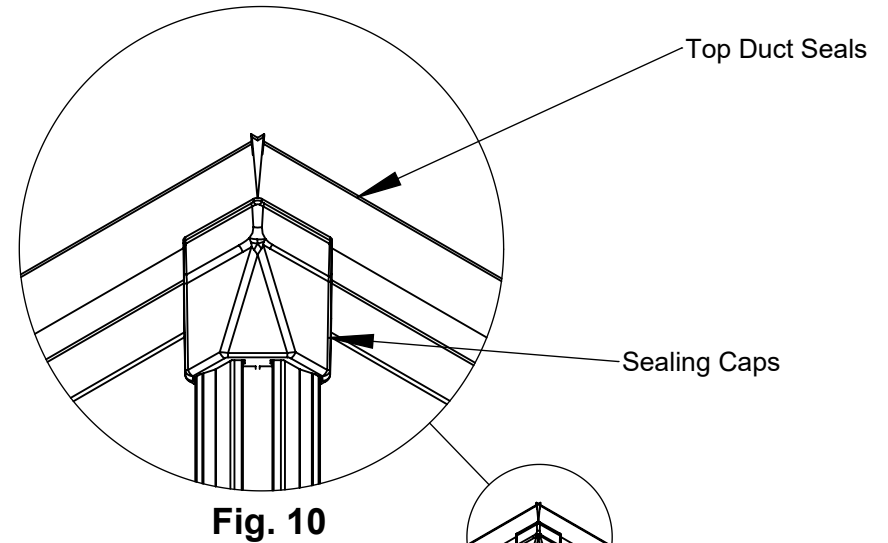
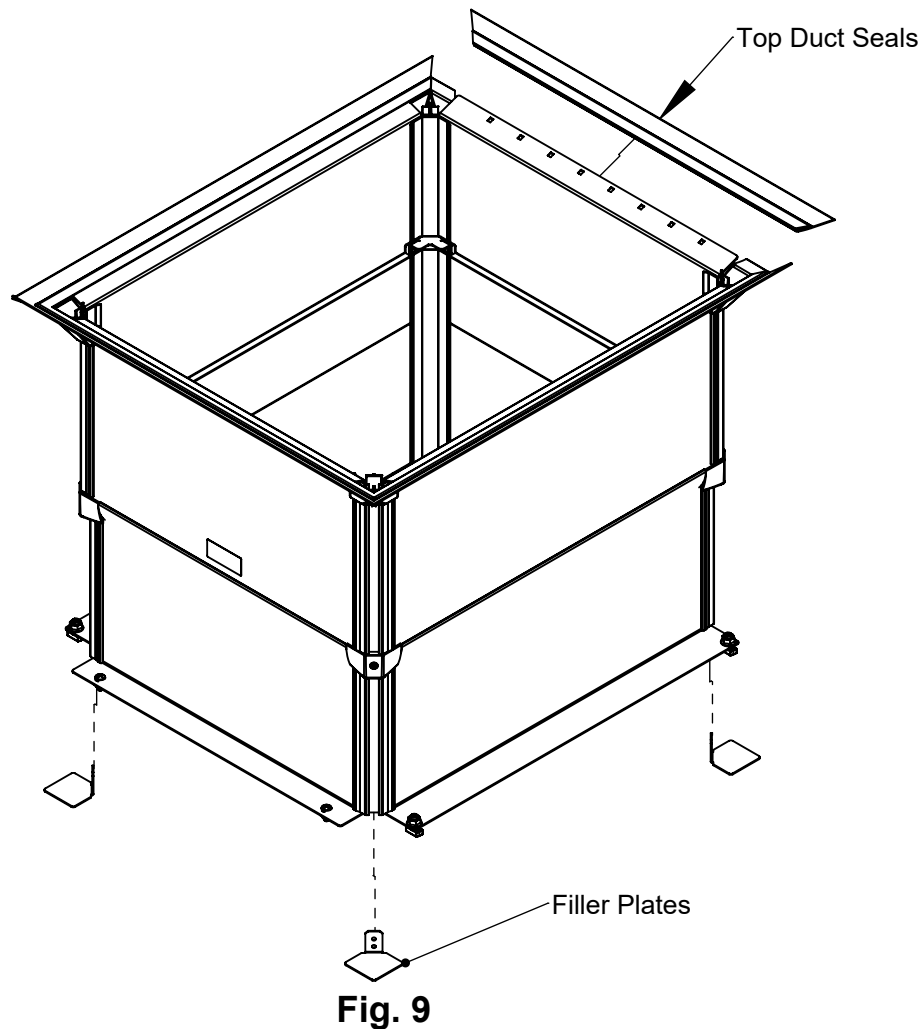


Fig. 8

Installation Instructions

VERTICAL EXHAUST DUCT, ZETAFRAME

11. Turn the VED assembly back upright (Fig. 9)
12. Push the Top Duct Seals onto the angled flange on the Upper Duct (Fig. 9).
13. Slide the four Seal Caps (from Step 7) up against the Top Duct Seals (Fig. 10).
14. Slide the Filler Plates onto the four corners of Lower Duct (Fig. 11).



Installation Instructions

VERTICAL EXHAUST DUCT, ZETAFRAME

15. Install the M8 bolts into the front to rear tracks that run along the top of each cabinet frame. Two bolts per side. Orient the bolt with the threads facing upwards. Align the long side of the bolt with the track and drop it in. Twist the bolt to lock it into the track. (Fig. 12 & Fig. 13).

16. Remove the 3/8" plugs from the top panel and install the M6 cage nut (2X) (Fig. 12).

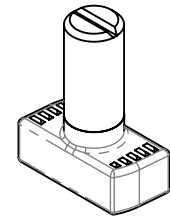
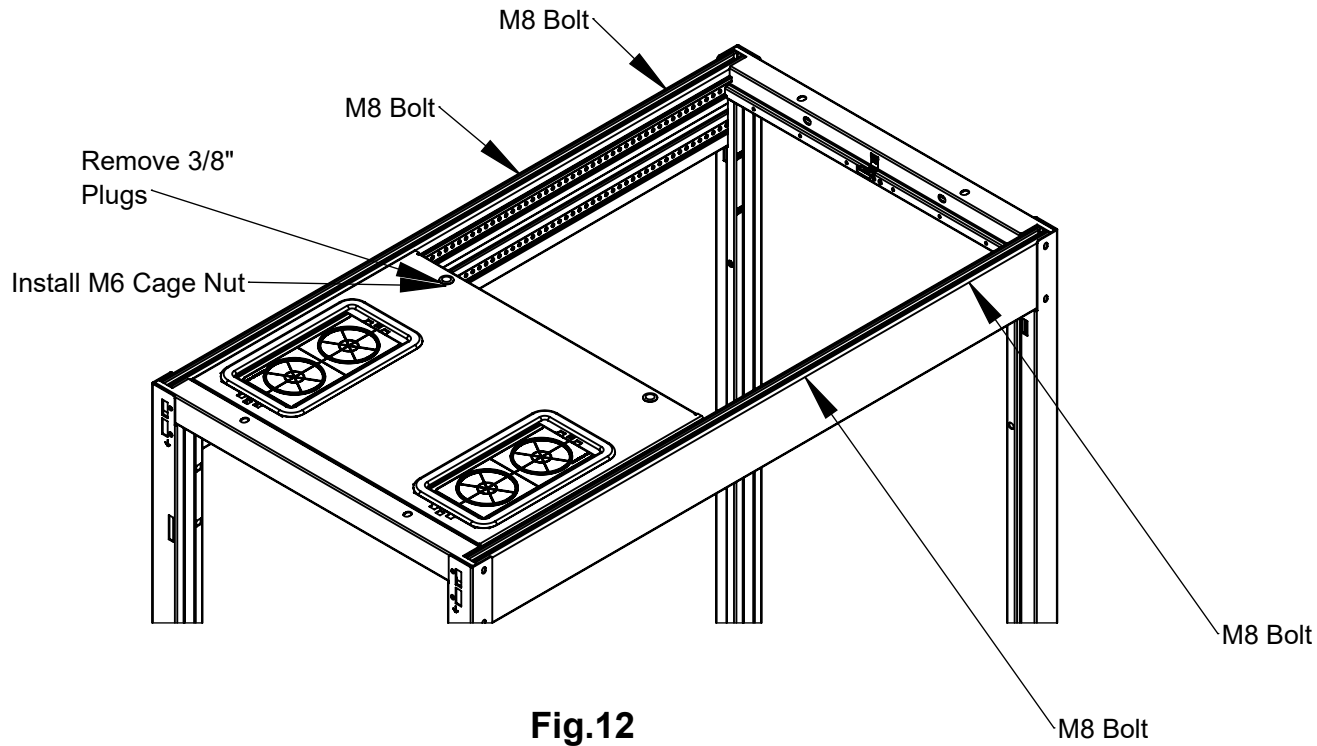


Fig.13

Installation Instructions

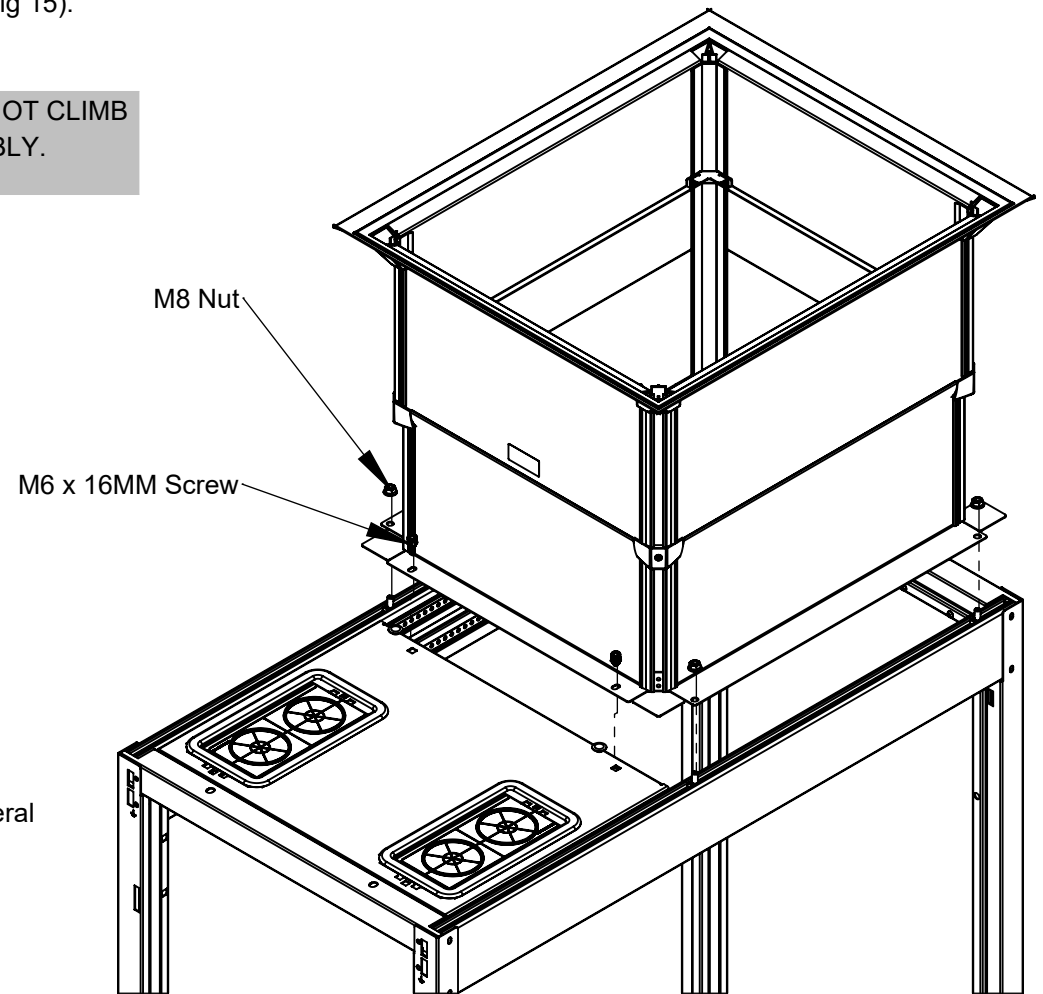
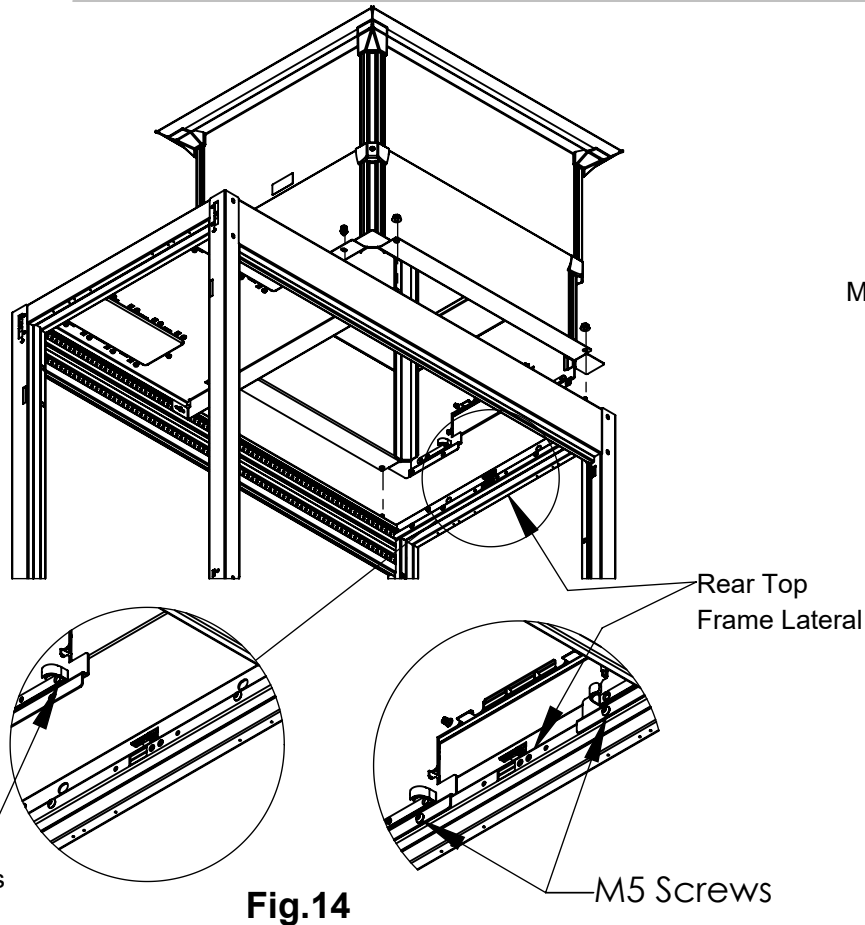
VERTICAL EXHAUST DUCT, ZETAFRAME

17. Place the VED assembly on top of the cabinet and lower to engage rear snap buttons to rear top frame lateral (Fig. 14). Use M5 Taptite Torx screws (4X) to secure lower, rear panel to top frame lateral.

18. Secure the front of the VED to the cabinet with M6 screws into the M6 cage nuts from Step 16 (2X). Secure the sides of the VED to the cabinet with the M8 Nuts onto the M8 bolts from Step 15 (Fig 15).



CAUTION: USE TWO PEOPLE FOR THIS OPERATION. DO NOT CLIMB A LADDER OR STEPS WHILE CARRYING THE VED ASSEMBLY.



Installation Instructions

VERTICAL EXHAUST DUCT, ZETAFRAME

19. To adjust duct height, loosen the 4 screws in the plastic cornerlocks (Fig. 17).

20. Raise the Upper Duct until the Top Duct Seals are pressed firmly against the ceiling (Fig. 16).

21. Securely tighten the 4 screws in the plastic corner locks (Fig. 17).

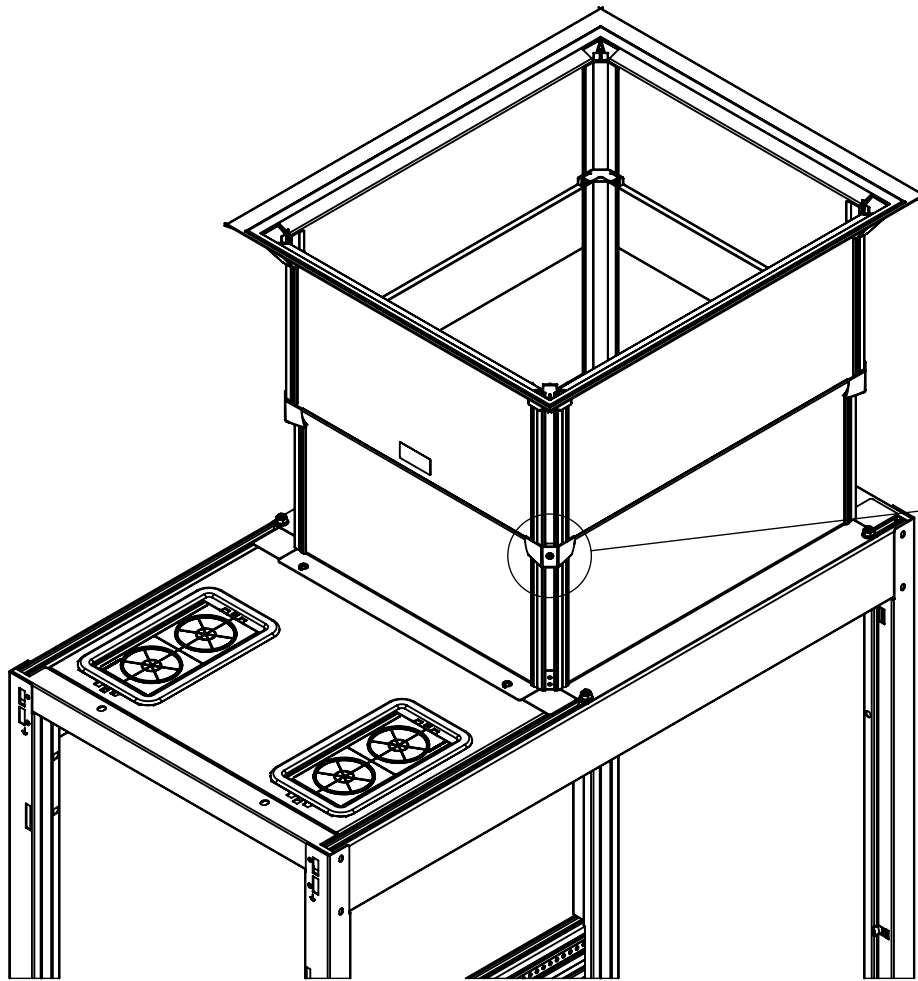


Fig. 16

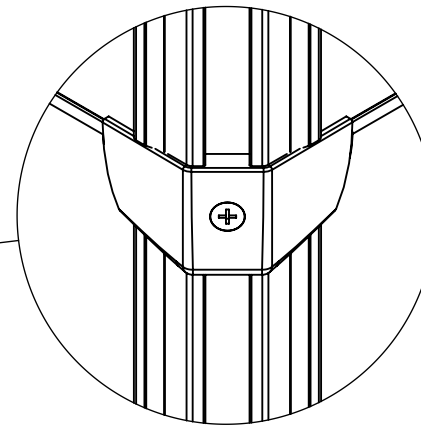


Fig. 17

- A) Loosen Screws
- B) Raise Upper (outer) Duct
- C) Tighten Screws