

Installation Instructions

RMR WALL-MOUNT GLAND PLATE ASSEMBLY

Safety Information



WARNING: Improper use of this product may lead to serious injury. Read and understand all instructions for proper installation and use of this product.

Tools Required

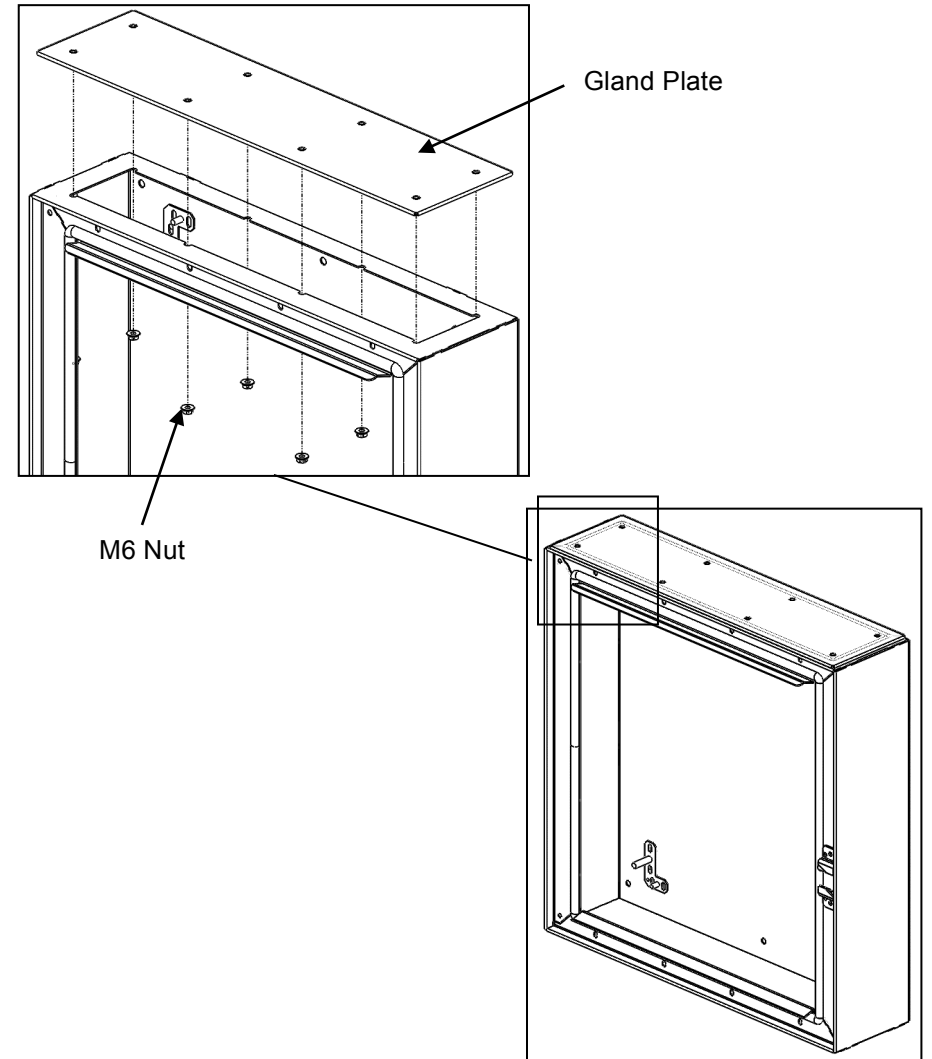
M10 Socket Driver

Included Hardware

(8) M6 Serrated Flange Hex Nut

Assembly Sequence

1. Place Gland Plate onto mating surface.
2. Install M6 Nuts and tighten until Gland Plate is fully seated.
(Torque 88 IN-LB [9.9 N-M]).



IIS-737080, 09/16/16, Rev. 1, CPI/SJG
800-834-4969 (USA & Canada) • www.chatsworth.com • techsupport@chatsworth.com
For international phone numbers, see our website or contact CPI Tech Support.

This drawing contains proprietary and confidential information and is protected by U.S. and international law. Unauthorized reproduction, disclosure or use of the drawing or the information therein is expressly forbidden except as agreed to in writing by Chatsworth Products, Inc.