

### INSTALLATION

1. To remove the cover, hold the panel at one end. With your other hand, grasp the upper and lower hinges with your thumb and index finger and pull until hinges release. Repeat this process for the hinges at the other end of the cover.

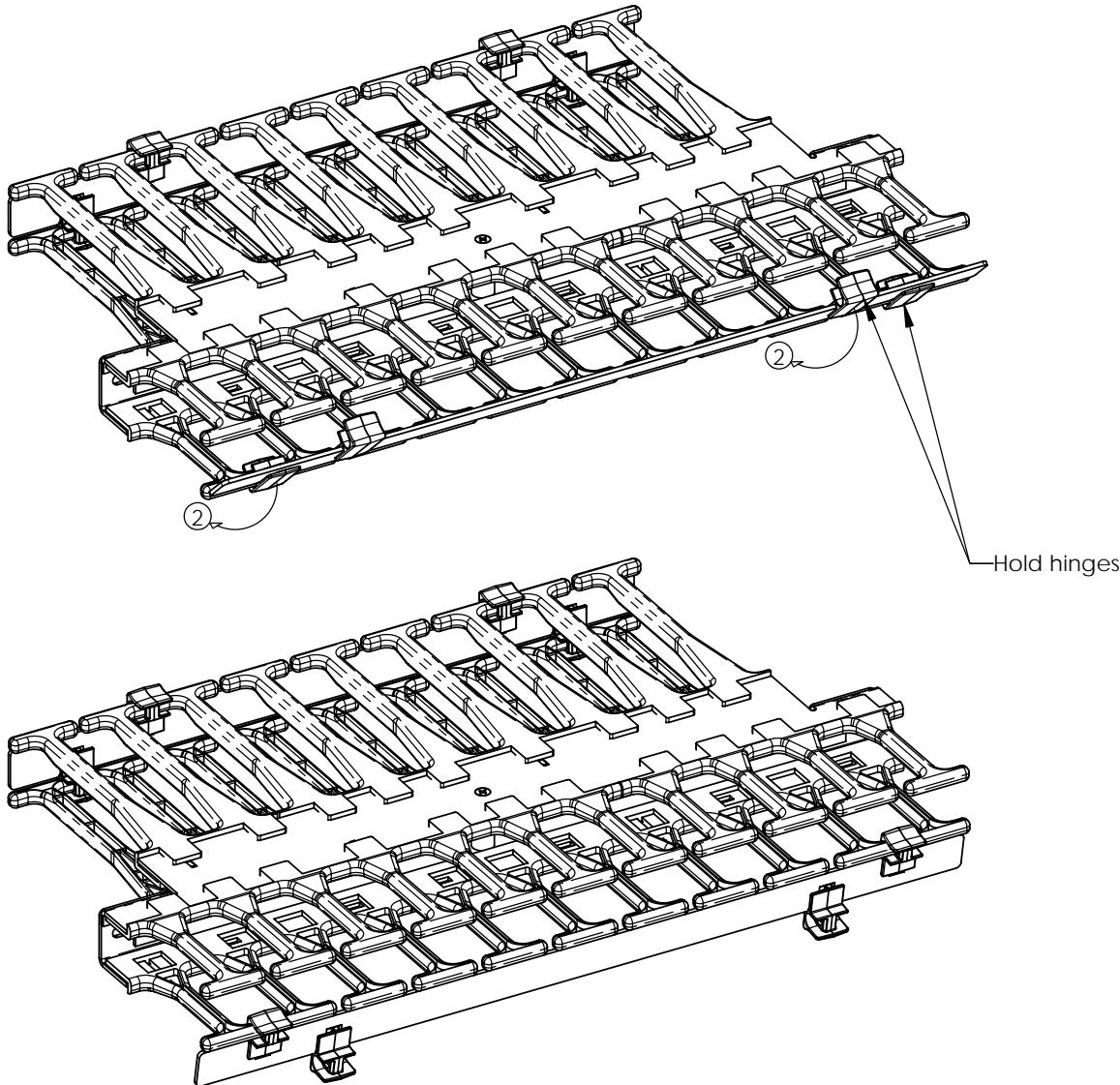
**NOTE: DO NOT REMOVE COVER BY PULLING ON COVER PANEL.**

2. Mount panel to rack using the two slots indicated.
3. Replace cover on panel by aligning hinges over gaps between cable guide fingers. Push on all four hinges evenly until the hinges snap into place. Do not push on cover panel.

**CPI CHATSWORTH PRODUCTS, INC.**

INSTALLATION INSTRUCTION  
HORIZONTAL MANAGER,  
UNIV, 19"W, 1 RMU

THIS DRAWING CONTAINS INFORMATION PROPRIETARY TO CHATSWORTH PRODUCTS, INC. ANY REPRODUCTION DISCLOSURE OR USE OF THIS DRAWING IS EXPRESSLY FORBIDDEN EXCEPT AS AGREED TO IN WRITING BY CHATSWORTH PRODUCTS, INC.



## **COVER OPERATION**

To gain access to the cables within the panel, the cover can be hinged open from the top or bottom, or it can be completely removed.

1. With your right hand, grasp the right hinges with your thumb and index finger. Grasp the left hinges with your left hand.

### **TO HINGE THE COVER OPEN:**

2. Pull on either the top or bottom hinges, allowing the cover to pivot on the opposite hinges.

### **TO REMOVE THE COVER:**

3. Pull on all the hinges evenly until they release.