

Installation Instructions

ADJUSTABLE RAIL SERVERRACK AND QUADRARACK™ SIDE PANEL

Safety Information



WARNING: Improper use of this product may lead to serious injury or death. Read and understand all instructions for proper installation and use of this product.

Tools Required

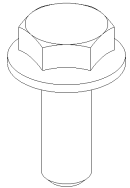
10mm socket wrench

Included Hardware

4 each
6 mm x
16 mm Bolt

12 each
6mm
Flange Nut

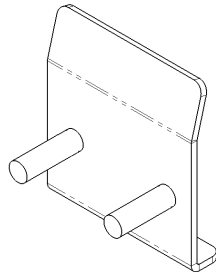
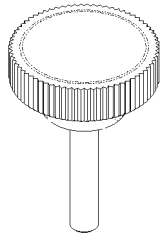
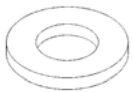
12 each
Nylon Flat
Washer



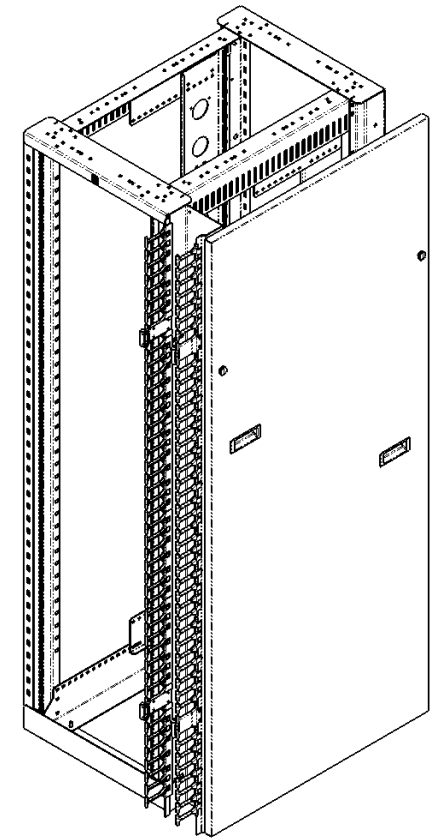
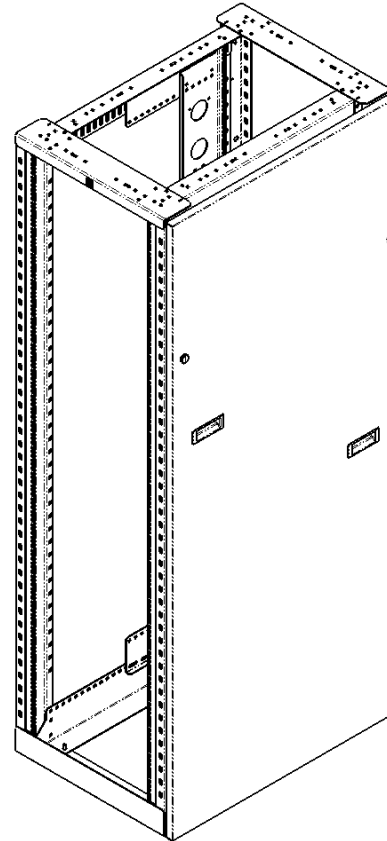
8 each
1/4" Flat
Washer

2 each
Knob

4 each
Mounting Brackets



The side panel may be mounted directly to the rack frame or if a vertical cabling manager is attached to the rack the side panel can be mounted to the outside of the cabling manager.



CHATSWORTH PRODUCTS, INC.

IIS-715270, 01/06/10, Rev. 2, CPI/B Krietzman

800-834-4969 (USA & Canada) • www.chatsworth.com • techsupport@chatsworth.com

For international phone numbers, see our website or contact CPI Tech Support.

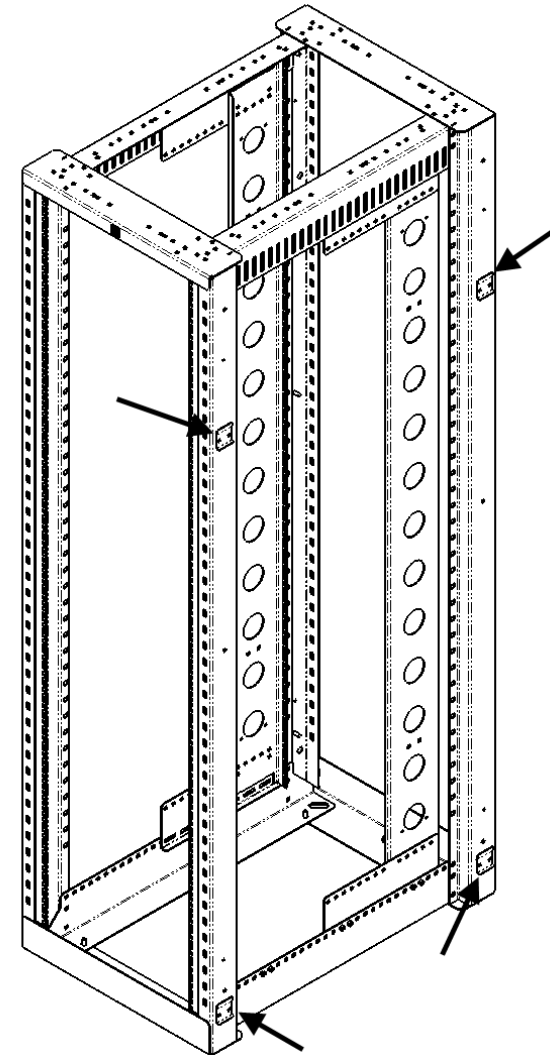
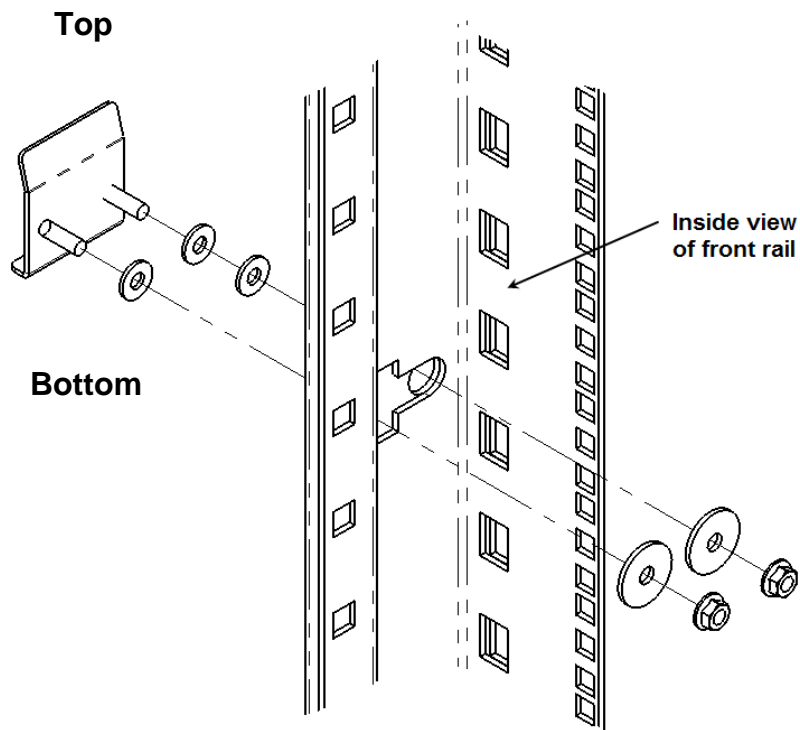
This drawing contains proprietary and confidential information and is protected by U.S. and international law. Unauthorized reproduction, disclosure or use of the drawing or the information therein is expressly forbidden except as agreed to in writing by Chatsworth Products, Inc.

Installation Instructions

ADJUSTABLE RAIL SERVERRACK AND QUADRARACK™ SIDE PANEL

Mounting the Side Panel to Rack Frame

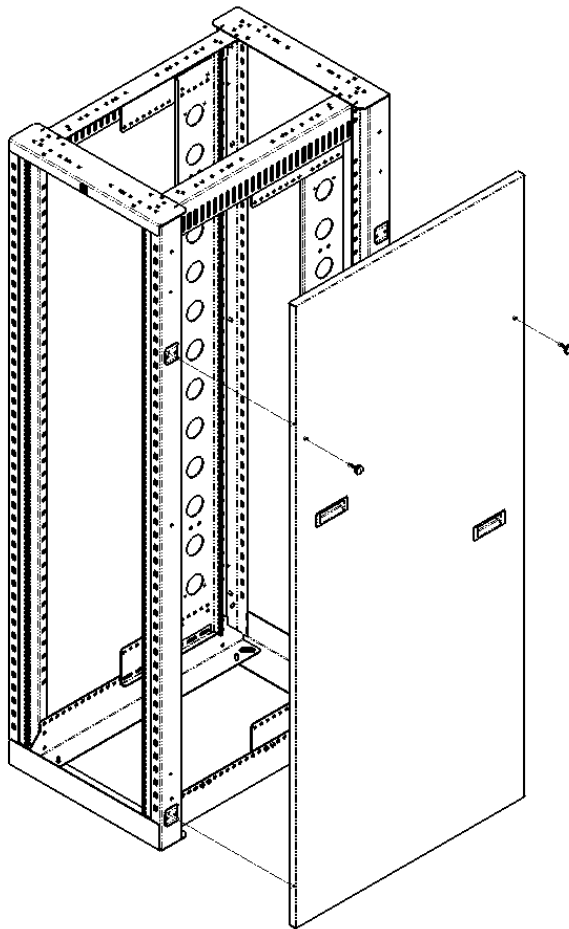
1. Attach the four panel mounting brackets to the outside of the rack frame; the angled side of the bracket should point toward the top of the rack. Slide 1 or 2 nylon washers onto the threaded bracket studs; 2 washers are required where the stud mounts through the front rail. Position the bracket into the frame holes with the washers inside the holes. Install a steel washer and nut onto each stud and tighten.



Installation Instructions

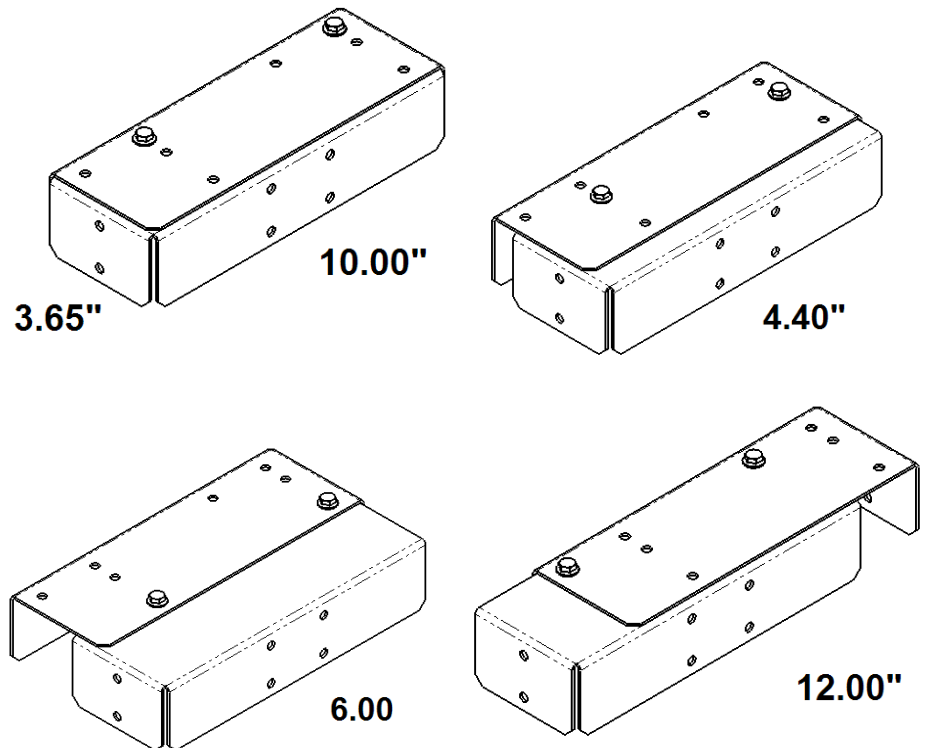
ADJUSTABLE RAIL SERVERRACK AND QUADRARACK™ SIDE PANEL

2. Position side panel up against rack, lift the panel about a half inch so that the notches on the panel inside flange hook over the top of the brackets, then lower panel down. The bottom of the panel should rest on the floor. Install the two knobs into the threaded holes in the panel and screw them in as far as they will go. These knobs are a safety device to ensure that the panel does not fall off the rack and must be installed at all times. To remove the panel: loosen the knobs about a half inch and then lift off panel.



Mounting the Side Panel to a Vertical Cable Manager

1. The side panel can either mount to a single cable manager or to two managers which are attached at the front and rear of the rack. If the panel is mounting to a single cable manager you will need to install the standoff support brackets to the rear frame.
2. The support brackets can be set to lengths of 3.65", 4.40", 6.00", 10.00", or 12.00" to match the width of the cable manager. The brackets are shipped assembled in the 3.65"/10.00" configuration. Adjust the size of the support brackets, if required, as shown below.



Installation Instructions

ADJUSTABLE RAIL SERVERRACK AND QUADRARACK™ SIDE PANEL

Mounting the Side Panel to a Vertical Cable Manager Continued

3. Attach the two support brackets to the rear rack frame with 2 each of a screw, nylon washer, steel washer, and nut.
4. Mount a panel mounting bracket to the support bracket using 2 nuts.
5. Mount 2 panel mounting brackets to the vertical cable manager as described on page 2.

