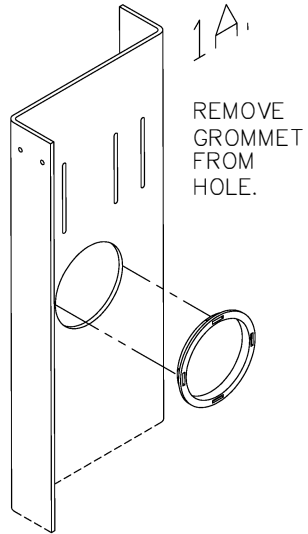
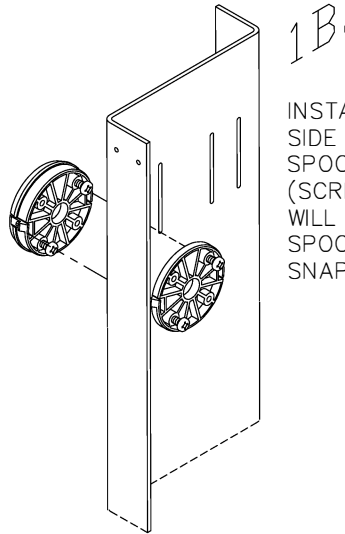


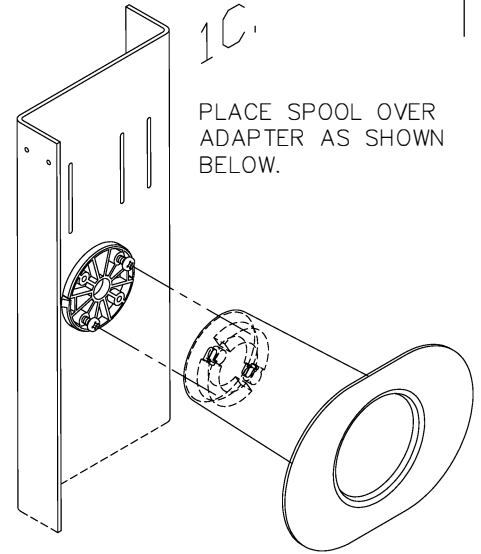
A SEGMENT OF THE RIVETED CENTER SECTION IS SHOWN REMOVED, AND ENLARGED FOR CLARITY.



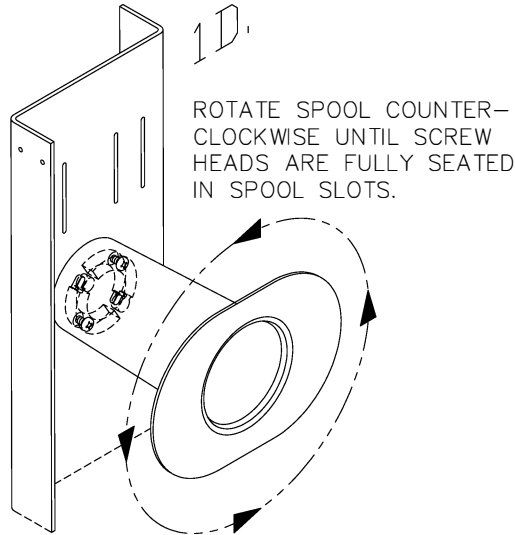
1A.
REMOVE GROMMET FROM HOLE.



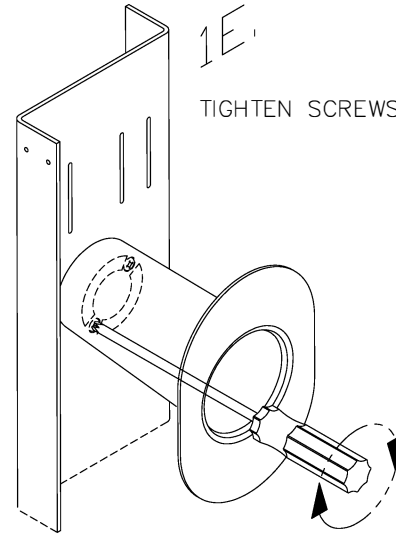
1B.
INSTALL ADAPTER FROM SIDE OPPOSITE WHERE SPOOL WILL BE MOUNTED (SCREWS ON ADAPTER WILL FACE TOWARDS SPOOL). ADAPTER WILL SNAP INTO HOLE.



1C.
PLACE SPOOL OVER ADAPTER AS SHOWN BELOW.



1D.
ROTATE SPOOL COUNTER-CLOCKWISE UNTIL SCREW HEADS ARE FULLY SEATED IN SPOOL SLOTS.

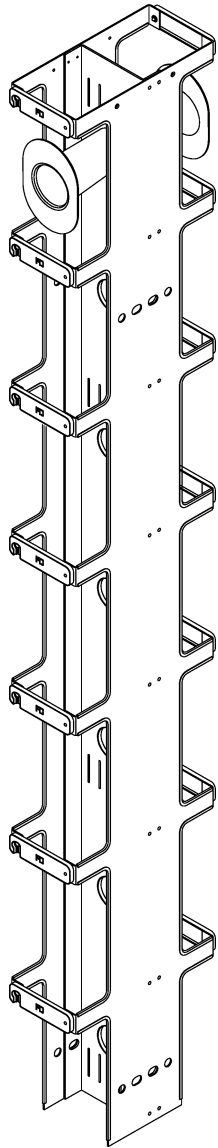


1E.
TIGHTEN SCREWS

CPI CHATSWORTH PRODUCTS, INC.

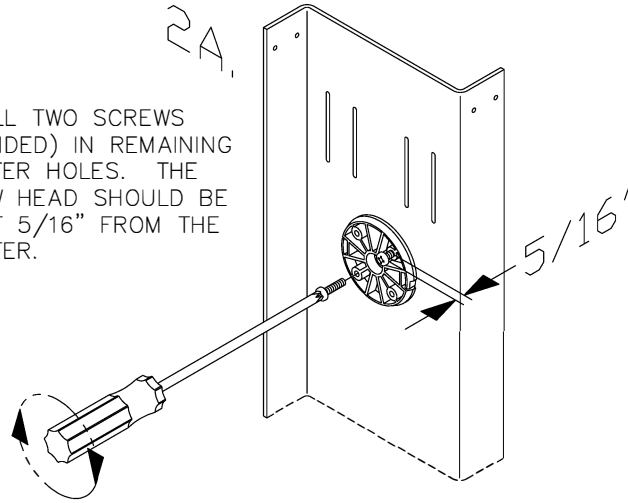
CABLE SPOOL - FIRST FOR DOUBLE SIDED CABLE RACK

THIS DRAWING CONTAINS INFORMATION PROPRIETARY TO CHATSWORTH PRODUCTS, INC. ANY REPRODUCTION DISCLOSURE OR USE OF THIS DRAWING IS EXPRESSLY FORBIDDEN EXCEPT AS AGREED TO IN WRITING BY CHATSWORTH PRODUCTS, INC. 01/24

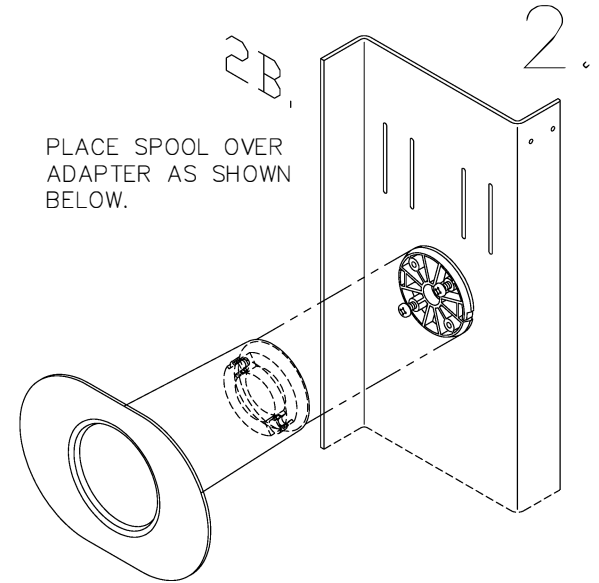


A SEGMENT OF THE RIVITED CENTER SECTION IS SHOWN REMOVED, REVERSED AND ENLARGED FOR CLARITY.

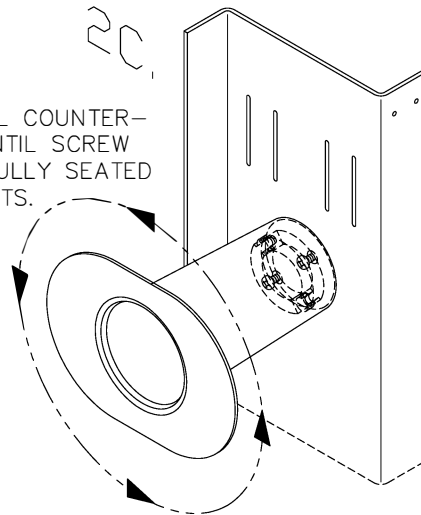
INSTALL TWO SCREWS (PROVIDED) IN REMAINING ADAPTER HOLES. THE SCREW HEAD SHOULD BE ABOUT 5/16" FROM THE ADAPTER.



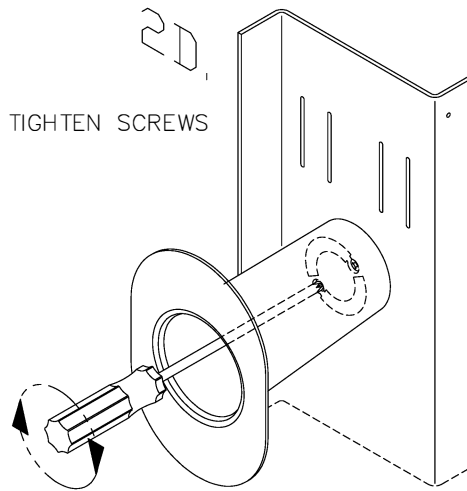
PLACE SPOOL OVER ADAPTER AS SHOWN BELOW.



ROTATE SPOOL COUNTER-CLOCKWISE UNTIL SCREW HEADS ARE FULLY SEATED IN SPOOL SLOTS.



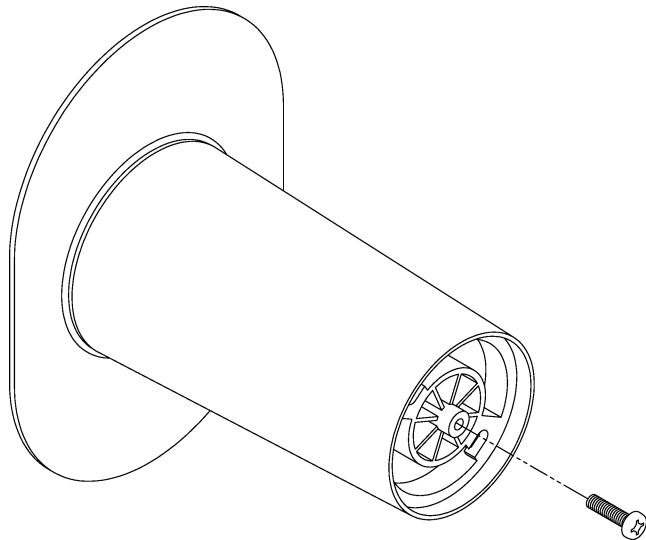
TIGHTEN SCREWS



CPI CHATSWORTH PRODUCTS, INC.

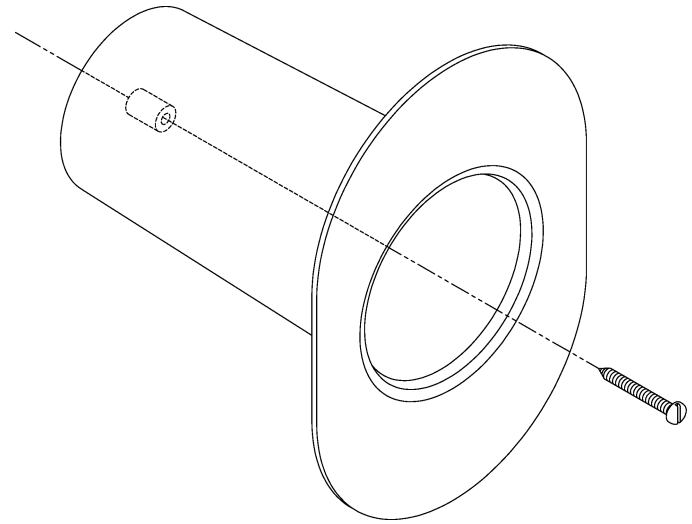
CABLE SPOOL - SECOND
FOR DOUBLE SIDED
CABLE RACK

THIS DRAWING CONTAINS INFORMATION PROPRIETARY TO CHATSWORTH PRODUCTS, INC. ANY REPRODUCTION DISCLOSURE OR USE OF THIS DRAWING IS EXPRESSLY FORBIDDEN EXCEPT AS AGREED TO IN WRITING BY CHATSWORTH PRODUCTS, INC. 01/24



MOUNTING WITHOUT ADAPTER

1. DRILL A 3/16" HOLE AT DESIRED LOCATION.
2. MOUNT SPOOL WITH SCREW PROVIDED. SCREW IS INSTALLED FROM BACK SIDE INTO CENTER SPOOL HOLE.



MOUNTING TO BACKBOARD

1. A #6 OR #7 X 1-1/2" LONG WOOD SCREW (NOT PROVIDED) CAN BE USED THROUGH THE SPOOL CENTER HOLE.



CABLE SPOOL MOUNTED
WITHOUT ADAPTER
OR TO A BACK BOARD

THIS DRAWING CONTAINS INFORMATION PROPRIETARY TO CHATSWORTH PRODUCTS, INC. ANY REPRODUCTION DISCLOSURE OR USE OF THIS DRAWING IS EXPRESSLY FORBIDDEN EXCEPT AS AGREED TO IN WRITING BY CHATSWORTH PRODUCTS, INC. 01/24