

Installation Instructions

Elevate™ Adjustable Containment End of Row Panel



WARNING: Improper use of this product may lead to serious injury or death. Read and understand all instructions for proper installation and use of this product.



WARNING: The adjustable containment panels must be secured to adjacent panels with provided corner brackets.



WARNING: The end of row adjustable containment panel must be securely fastened to end of row door.



WARNING: Installation of aisle Containment products may require the use of ladder, Scaffolds, and other climbing tools. Follow all climbing device procedures and observe all safety and warning precautions.

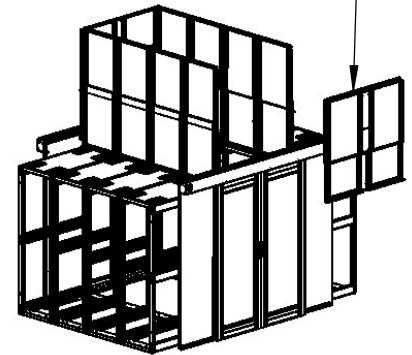
Intended Use

Install this assembly only in a restricted service environment, such as a data center. Use indoors only, in environmentally controlled areas; do not use outdoors, in harsh environments or in air-handling spaces or in direct proximity to unshielded high voltage.

The 14625-XXX Adjustable End of Row Aisle Containment Panels are intended to be used to form a barrier region above a 32770-XXX or 32780-XXX Aisle Containment Door.

This instruction is to be used as a general guideline as the actual field installation will depend on system containment requirements.

14625-XXX ADJUSTABLE END OF ROW AISLE CONTAINMENT PANEL



Required Tools:

- 8mm Socket wrench
- 10mm Socket wrench
- 13mm Socket wrench
- Utility knife

Included Hardware:



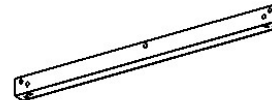
M8x12 Serrated Flange Screw, Qty (14)



M6 Serrated Flange Nut, Qty (8)



M5x8 Flange Screw, Qty (8)



Upper Corner Bracket Qty (2)



Mid Seals, Qty (2)



Edge Seals (2 Horizontal, 2 Vertical)



Lower Mid Panel Seal, Qty (1)



IIS-714625-001, 01/03/24, Rev. 1, CPI/REL
800-834-4969 (USA & Canada) • www.chatsworth.com • techsupport@chatsworth.com
For international phone numbers, see our website or contact CPI Tech Support.

This drawing contains proprietary and confidential information and is protected by U.S. and international law. Unauthorized reproduction, disclosure or use of the drawing or the information therein is expressly forbidden except as agreed to in writing by Chatsworth Products, Inc.

Installation Instructions

Elevate™ Adjustable Containment End of Row Panel

Installation Instructions:

1. Attach (2) Upper Corner Brackets with (3) M8X12 each as shown in Figure 2. Measure the inside opening dimension between the Upper Corner bracket flanges (Dim A) as shown in Figure 2.

Maximum and minimum "Dim A" values for the available end of row panel assemblies are given in Table 1.

TABLE 1.

Part Number	Valid "DIMA" Range			
	Minimum		Maximum	
	in	mm	in	mm
14625-X00	50.6	[1286]	56.6	[1439]
14625-X01	50.6	[1286]	56.6	[1439]
14625-X02	50.6	[1286]	56.6	[1439]
14625-X03	58.5	[1486]	64.5	[1639]
14625-X04	58.5	[1486]	64.5	[1639]
14625-X05	58.5	[1486]	64.5	[1639]
14625-X06	90.7	[2304]	96.7	[2457]
14625-X07	90.7	[2304]	96.7	[2457]
14625-X08	90.7	[2304]	96.7	[2457]

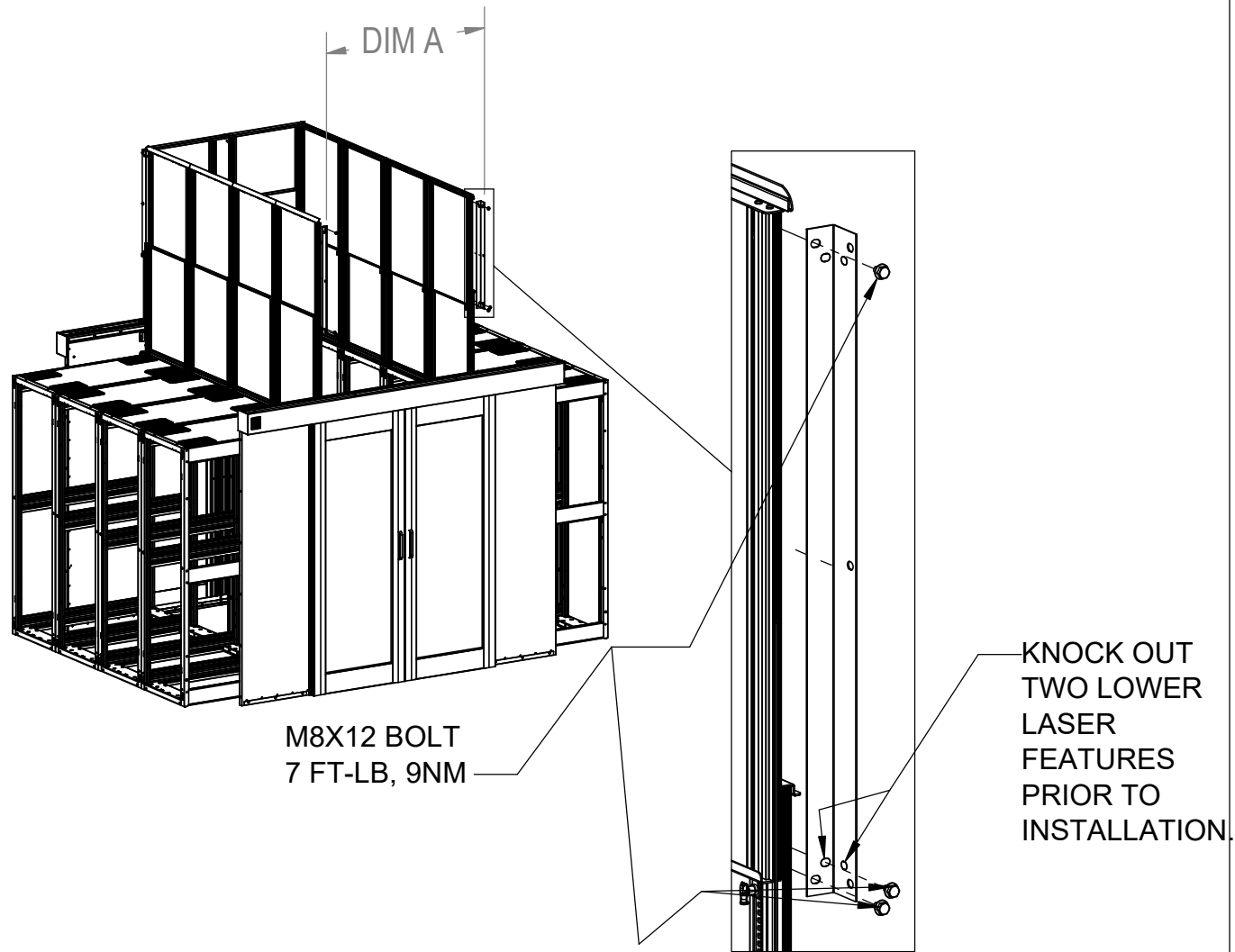


FIGURE 2.

Installation Instructions

Elevate™ Adjustable Containment End of Row Panel

Installation Instructions:

2. Measure the distance between the lower edge of the Upper Corner Bracket installed in Step 1 to the top of the edge of cabinet panel base as shown in Figure 3. Trim flexible seal strips to fit and install with the curve directed inwards as shown.

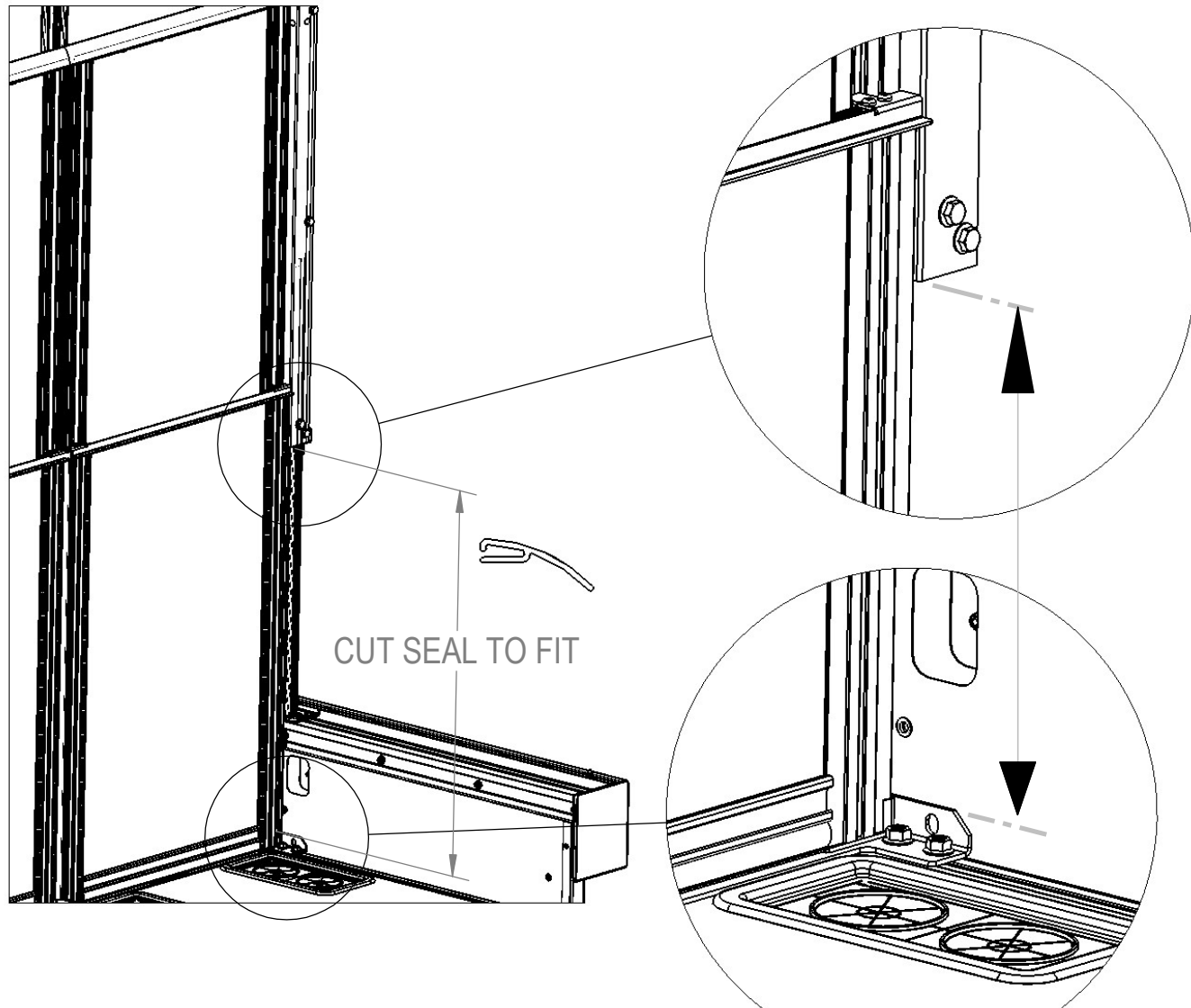


Figure 3.

Installation Instructions

Elevate™ Adjustable Containment End of Row Panel

Installation Instructions:

3. Install the cut with the curve directed inwards as shown. Slit the seal with a knife just above the door header as shown. Repeat for both sides of the door.

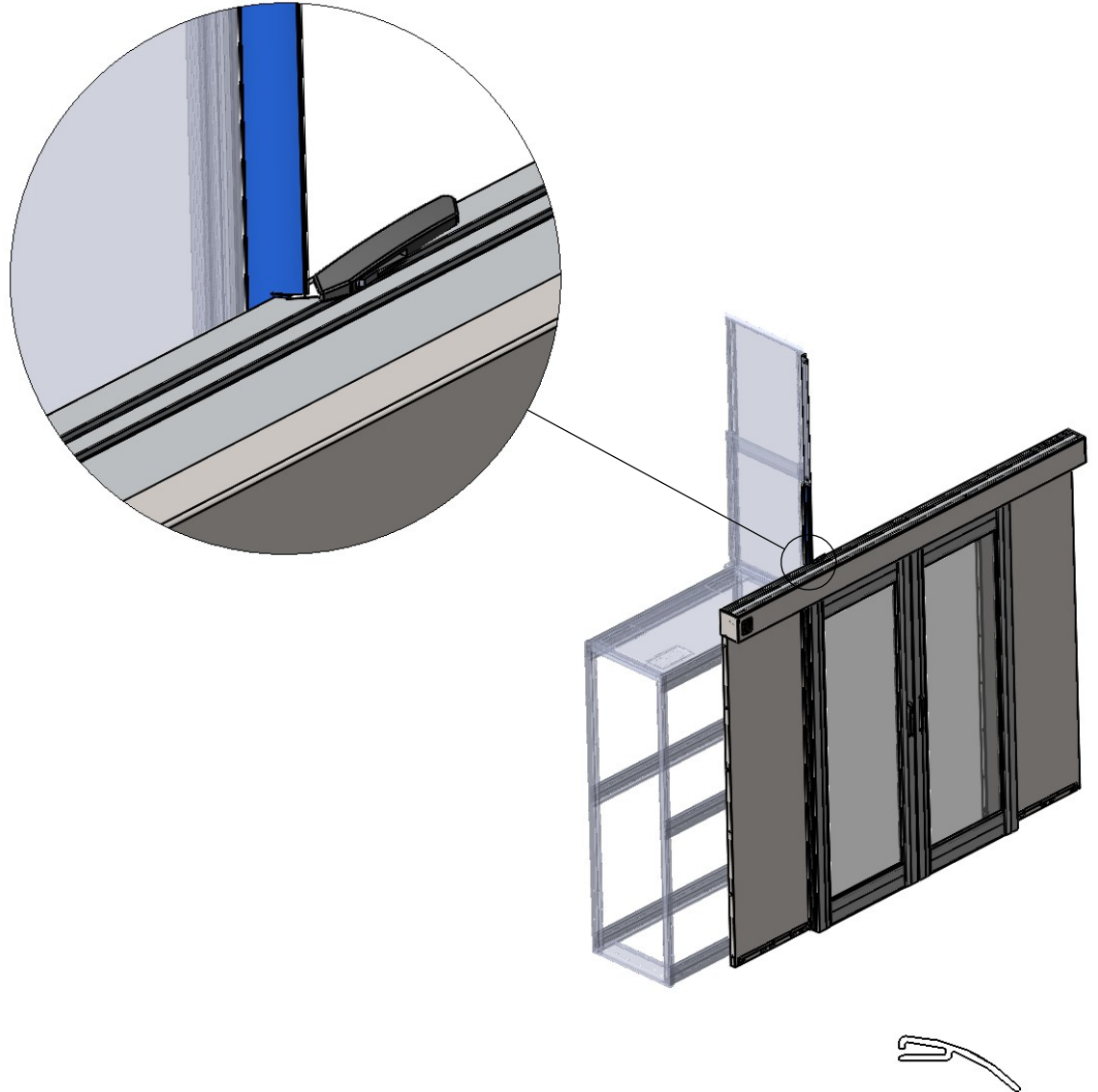


Figure 4.

Installation Instructions

Elevate™ Adjustable Containment End of Row Panel

Installation Instructions (Con't):

4. Lift the right side End of Row Containment Panel onto the End of Row Door header. Align Qty (4) M6 studs with the slots on the bottom of the panel frame as shown in Figure 5.
5. Attach the lower frame using M6 Serrated nuts as shown.

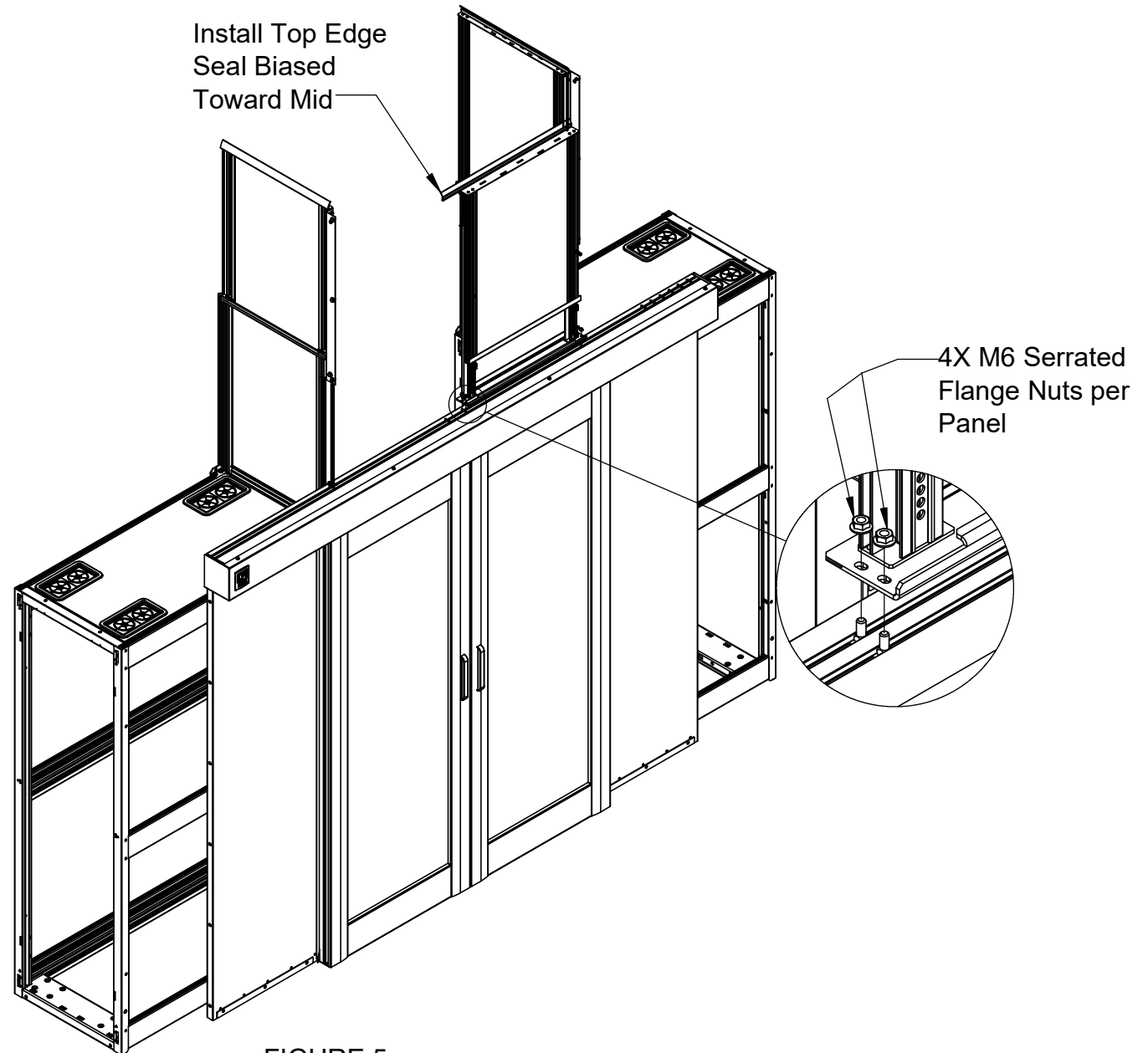


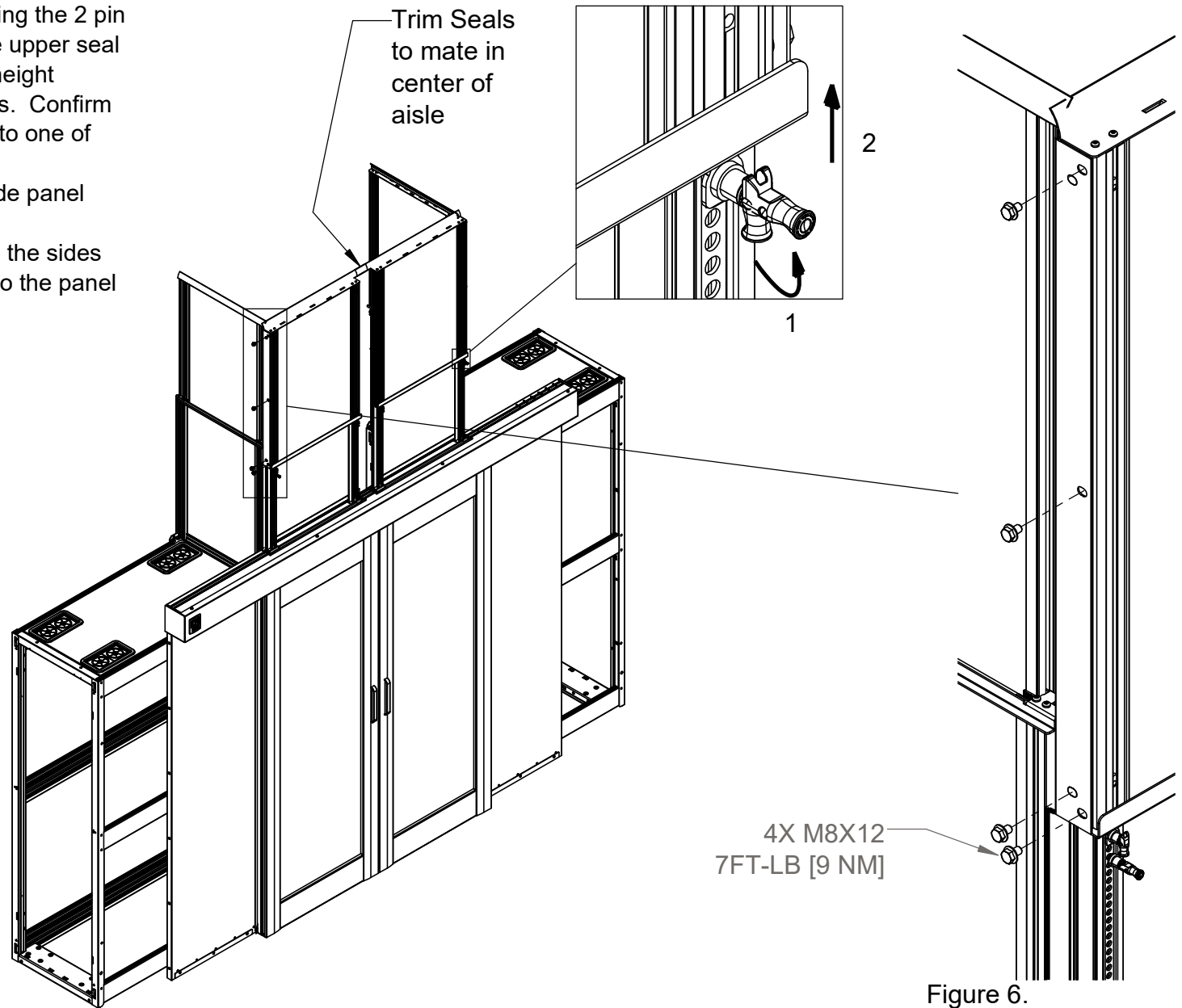
FIGURE 5.

Installation Instructions

Elevate™ Adjustable Containment End of Row Panel

Installation Instructions (Con't):

6. Raise the panels by straightening the 2 pin levers, lifting the panel until the upper seal touches the ceiling. Lock the height adjustment by lowering the pins. Confirm that the pins are seated fully into one of the indexing holes.
7. Repeat steps 3-5 for the left side panel assembly.
8. Use the M8x12 Bolts to secure the sides of the Upper Corner Brackets to the panel as shown in Figure 6.



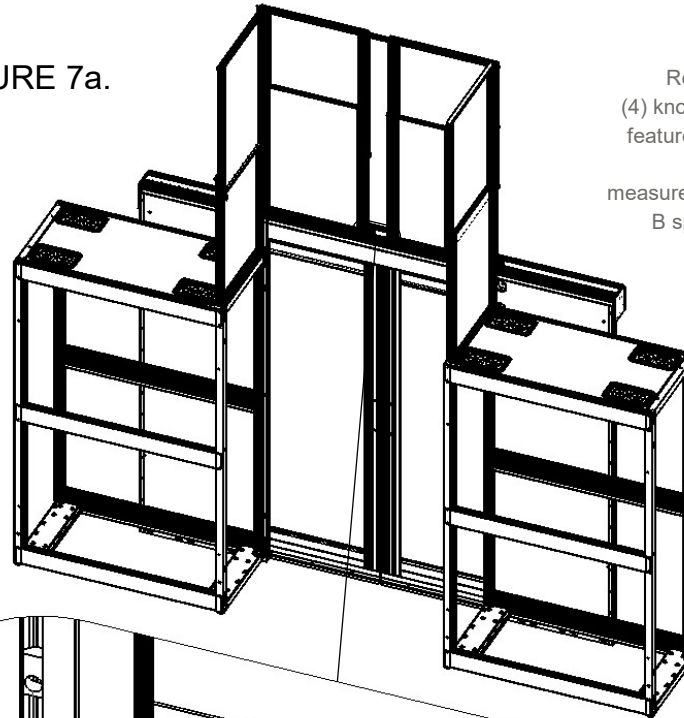
Installation Instructions

Elevate™ Adjustable Containment End of Row Panel

Installation Instructions (Con't):

9. Measure the distance between the left and right panel slots as shown in Figure 7a.
10. Identify a symmetric set of laser knock-out features as shown in Figure 7b for the lower mid-panel to match the "Dim B" measurement of step 9. Remove and remove the 4 slot cover features as shown in Detail C.
11. Measure the gap between extrusions (Dim C) in the mid region as shown in Figure 7a and cut two sections of the mid seal to match.
12. Measure the gap between the lower plates (Dim D) and cut the Lower Mid Panel Seal length to match.

FIGURE 7a.



Remove
(4) knock-out
features that
match
measured Dim
B spacing

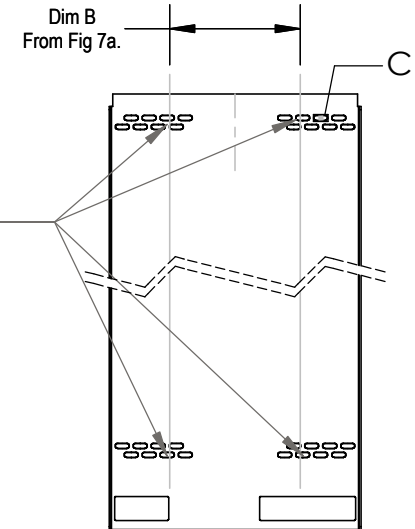
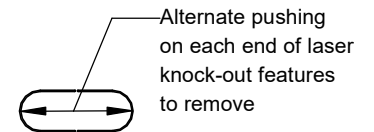
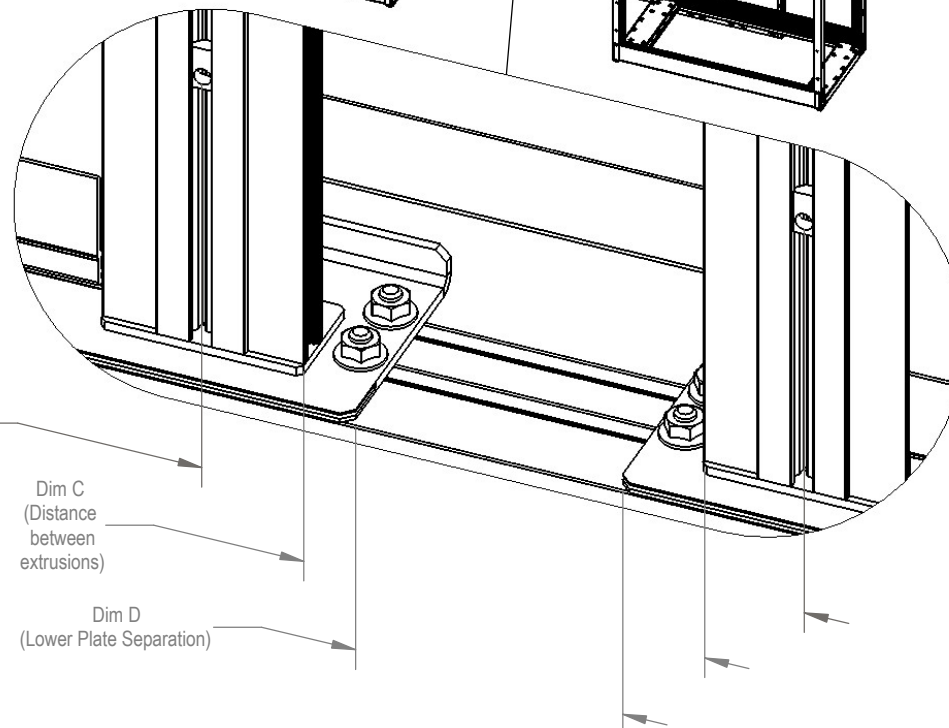


FIGURE 7b.
Lower Mid Panel



DETAIL C
SCALE 1 : 1

Installation Instructions

Elevate™ Adjustable Containment End of Row Panel

Installation Instructions (Con't):

13. Install the lower mid panel as shown in Figure 8.
14. Install the upper mid panel as shown in Figure 9 in a similar manner as the lower panel except that the seal is installed on the lower edge.
15. Use the provided sealing sheet to cover any exposed gaps on the upper mid panel as shown in Figure 9.

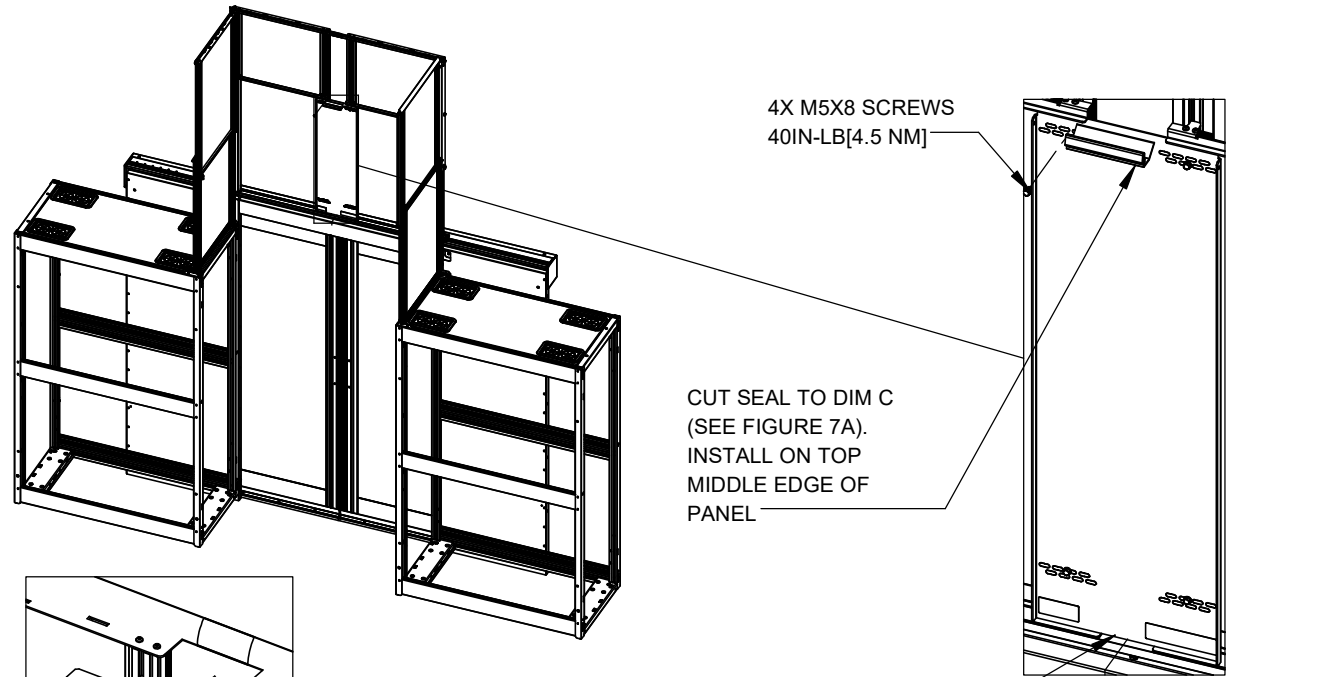


FIGURE 8.
LOWER MID-PANEL INSTALL

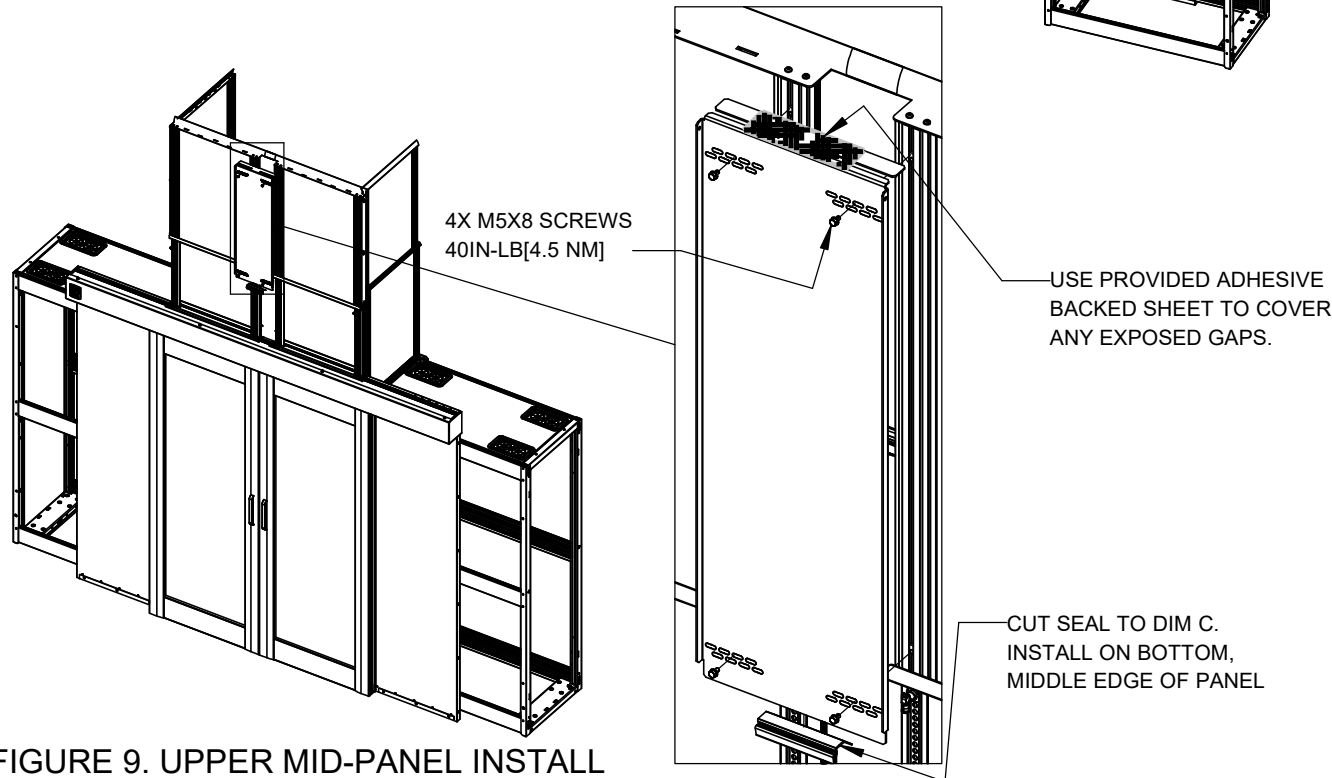


FIGURE 9. UPPER MID-PANEL INSTALL