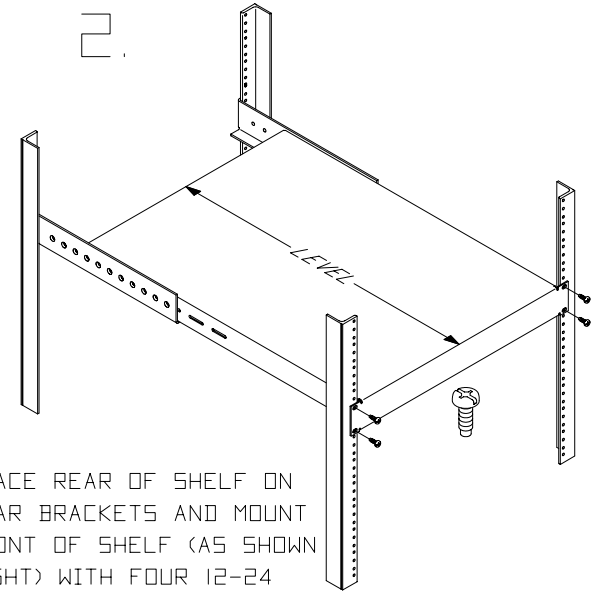
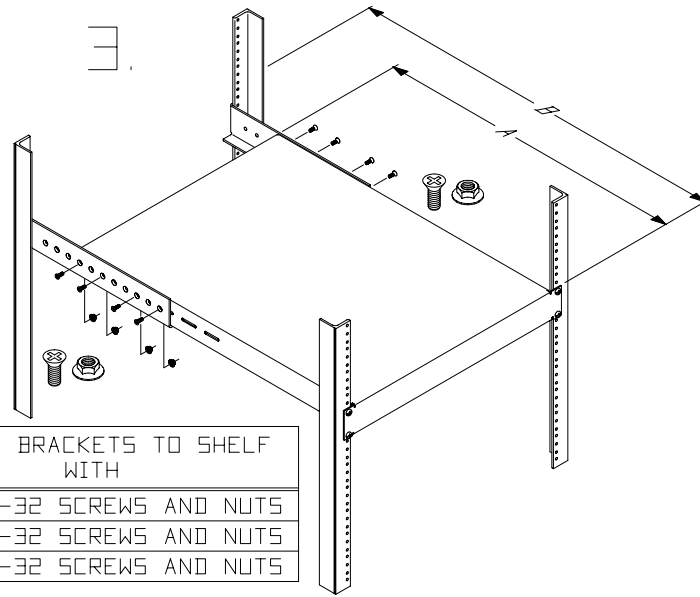


MOUNT REAR BRACKETS TO REAR MOUNTING RAILS AS SHOWN ABOVE, WITH TWO EACH 12-24 PAN-HEAD MOUNTING SCREWS.



PLACE REAR OF SHELF ON REAR BRACKETS AND MOUNT FRONT OF SHELF (AS SHOWN RIGHT) WITH FOUR 12-24 PAN-HEAD MTG. SCREWS.

FOR SHELF SERIES	SHELF DEPTH (DIM "A")	ATTACH BRACKETS TO SHELF WITH
12336, 12337	18"	6 EA 10-32 SCREWS AND NUTS
12334, 12335	24"	6 EA 10-32 SCREWS AND NUTS
14070, 14072	29"	8 EA 10-32 SCREWS AND NUTS

FOR 29" DEEP SHELF, PACKAGED HARDWARE KITS CONTAIN 4 EA EXTRA 10-32 SCREWS AND 4 EA EXTRA 10-32 NUTS.

NOTES:

RANGE OF MOUNTING RAIL ADJUSTMENT (DIM "B")		
SHELF SERIES	SHELF DEPTH (DIM "A")	DIM "B"
12336, 12337	18"	13" TO 24"
12334, 12335	24"	17" TO 28"
14070, 14072	29"	23" TO 39"



INSTALLATION INSTR.
ADJUSTABLE DEPTH
CABINET SHELF

THIS DRAWING CONTAINS INFORMATION PROPRIETARY TO CHATSWORTH PRODUCTS, INC. ANY REPRODUCTION, DISCLOSURE OR USE OF THIS DRAWING IS EXPRESSLY FORBIDDEN EXCEPT AS AGREED TO IN WRITING BY CHATSWORTH PRODUCTS, INC.