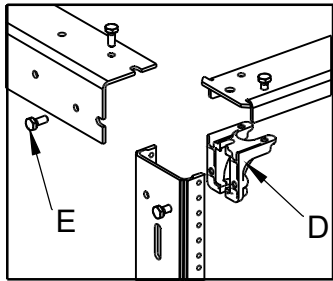


U/L APPROVED PART NUMBERS

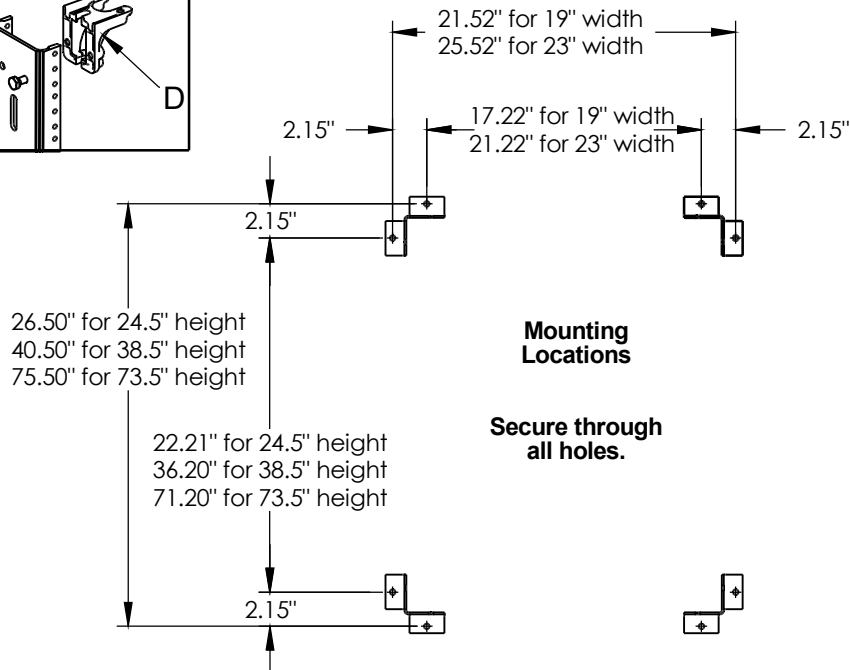
11960-X06	11960-X12	11960-X18	11963-X06	11963-X12	11963-X18
11961-X06	11961-X12	11961-X18	11964-X06	11964-X12	11964-X18
11962-X06	11962-X12	11962-X18	11965-X06	11965-X12	11965-X18

INSTRUCTIONS

- Step 1** On a flat surface, align cross-members (B) and mounting channels (C).
- Step 2** Position the corner assembly brackets (D) in each corner as depicted and loosely secure in front mounting holes with hex bolts (E).
- Step 3** Slide legs (A) into position with slot fitting under previously installed bolts.
- Step 4** Tighten all bolts and install remaining hex bolts throughout remaining alignment holes with 10mm socket wrench.
- Step 5** Use a level to assure wall rack is level while securing to wall.



COMPONENTS		
Item	Quantity	Component Description
A	4	Wall Attachment Brackets (Legs)
B	2	Cross-Members
C	2	Mounting Channels
D	4	Corner Assembly Brackets
E	16	M6 x 16mm Hex Bolts
F	8	M8 x 40mm Hex Lag Screws (not shown)
G	1	Package #12 - 24 Mounting Screws



Note: Wall-mount rack must be secured using all possible hex lag screws (F) provided to 3/4" plywood back-board secured to wall framing to assure load bearing capability. Lag screws are intended for mounting to wooden surface; for masonry surface, the installer must provide appropriate hardware.

CAUTION: Do not overload rack. UL approved racks can support up to 200 lb (90.7 kg) of equipment when properly installed to wall using all mounting holes.



INSTALLATION INSTRUCTIONS FIXED WALL-MOUNT EQUIPMENT RACK

THIS DRAWING CONTAINS INFORMATION PROPRIETARY TO CHATSWORTH PRODUCTS, INC. ANY REPRODUCTION DISCLOSURE OR USE OF THIS DRAWING IS EXPRESSLY FORBIDDEN EXCEPT AS AGREED TO IN WRITING BY CHATSWORTH PRODUCTS, INC.