

Installation Instructions

10506 STANDOFF KIT

Use 5/16-18 hardware to install the elevation bracket onto a Rack.

Rack-to-Runway Mounting Plate is required to install standoff kit to Rack.

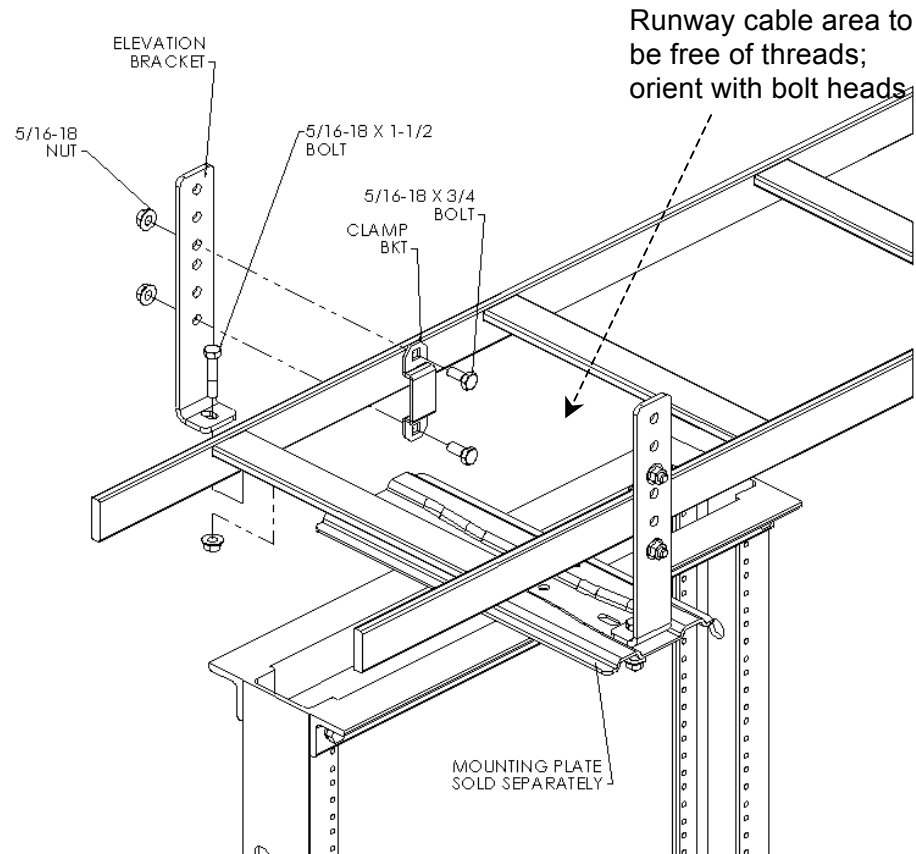
Plate kits sold separately as CPI P/Ns below:

10595-XXX	12408-XXX
12730-XXX	13730-XXX
12121-XXX	12409-XXX
12731-XXX	13731-XXX

Runway may be installed either parallel or perpendicular to rack.

Install clamp hardware so 5/16-18x3/4 bolt threads do not enter the runway cable area.

RACK INSTALLATION (10506-X06 SHOWN)



CHATSWORTH PRODUCTS, INC.

IIS-710506, 7/6/15, Rev. 7, CPI/DFWO/PBM/JAG/MJR
800-834-4969 (USA & Canada) • www.chatsworth.com • techsupport@chatsworth.com
For international phone numbers, see our website or contact CPI Tech Support.

This drawing contains proprietary and confidential information and is protected by U.S. and international law. Unauthorized reproduction, disclosure or use of the drawing or the information therein is expressly forbidden except as agreed to in writing by Chatsworth Products, Inc.

Installation Instructions

10506 STANDOFF KIT

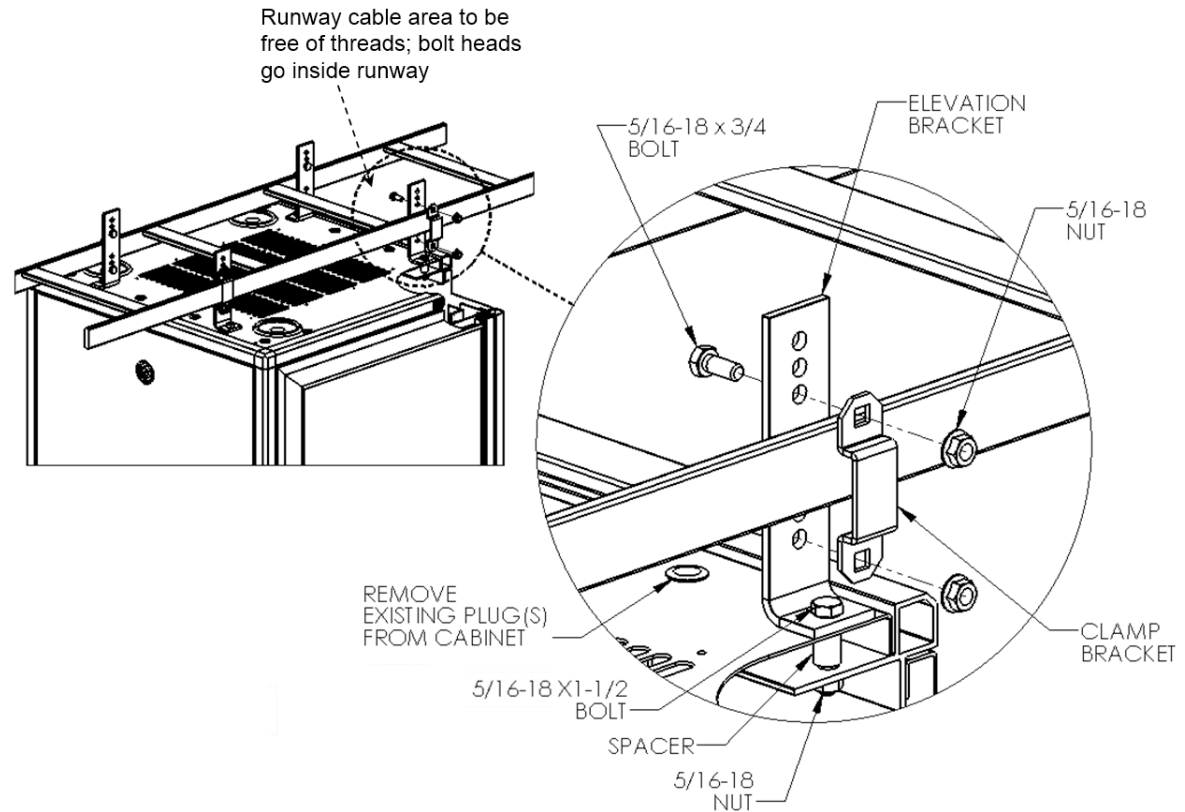
CABINET INSTALLATION MEGAFRAME/SLIMFRAME (10506-X12 SHOWN)

MegaFrame Cabinets use white plastic spacers and 5/16-18X 1-1/2 hardware to install the Elevation bracket.

Remove plugs from cabinet top panel in appropriate locations for standoff kit installation.

Place appropriate height (white) spacers between cabinet frame (aluminum extrusion) and cabinet top panel for proper bracket support.

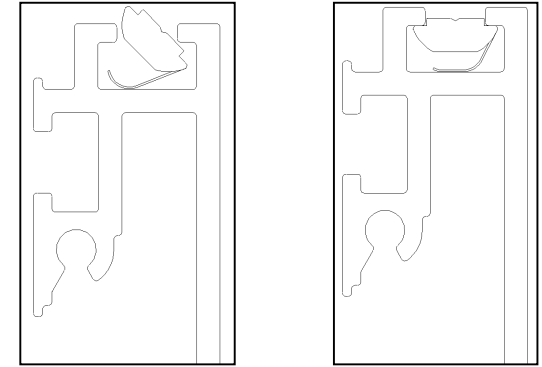
Install clamp hardware so 5/16-18 x 3/4" bolt threads do not enter the runway cable area.



Installation Instructions

10506 STANDOFF KIT

CABINET INSTALLATION TERAFRAME (10506-X12 SHOWN)

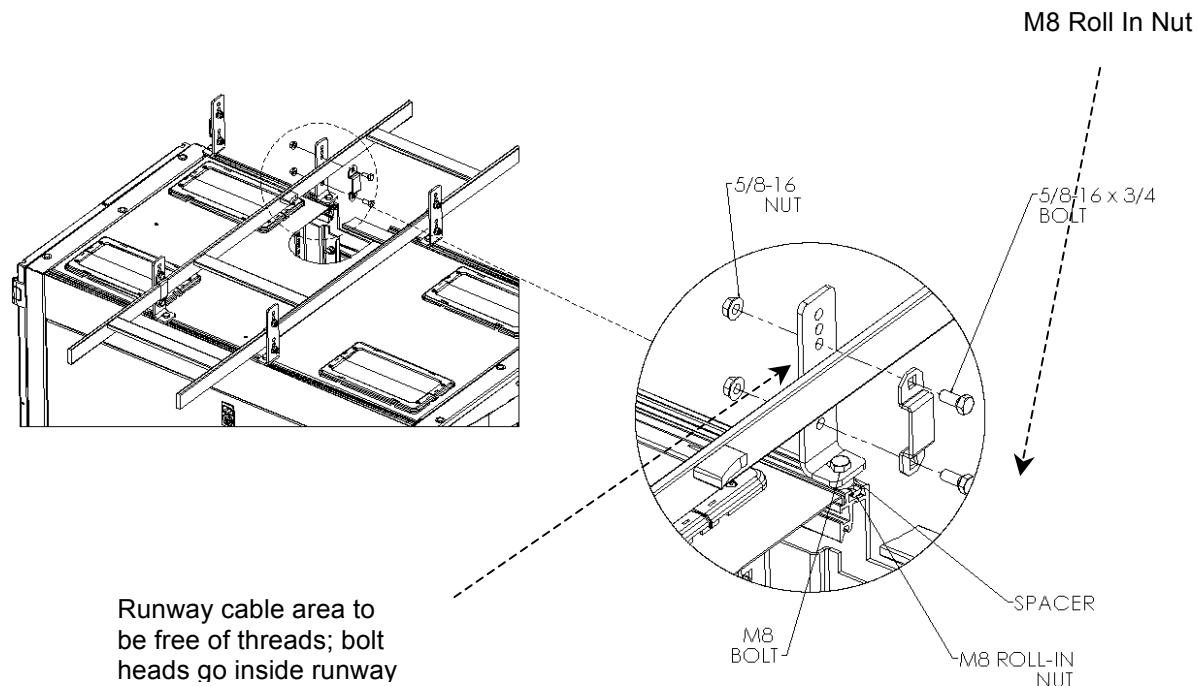


TeraFrame installation hardware is a different color from MegaFrame hardware. Do not mix M8 (clear zinc) and 5/16-18 (black or yellow zinc) hardware.

Place roll-in nut into the channel(s) on the top panel. Place (aluminum) M8 spacer beneath Bracket and install bracket using M8x20 bolt.

Install clamp hardware so 5/16-18 x 3/4" bolt threads do not enter the runway cable area.

Elevation brackets can be oriented as necessary for appropriate alignment between runway and cabinet.



Installation Instructions

10506 STANDOFF KIT

CABINET INSTALLATION N-SERIES FRAME (10506-X16 SHOWN)

Elevation Brackets should be attached to the outer slides.

N-Series cabinets use the aluminum spacer (see TF installation) and M8 (clear zinc) hardware (see TF installation) to install the elevation bracket.

Install clamp hardware so 5/16-18 x 3/4" bolt threads do not enter the runway cable area.

