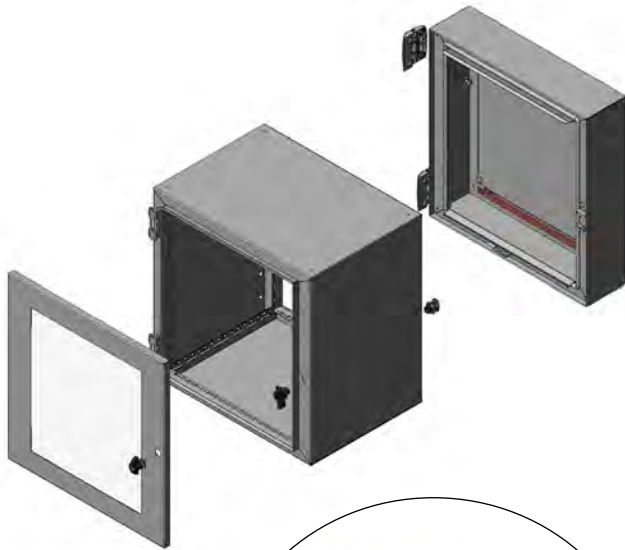


SPECIFICATIONS

Materials and Construction	Plates: - Steel enclosure, welded construction - Steel Mounting Plates and Doors, attach to enclosure with hardware
	Sealing: - Formed-in-place foam gaskets; metric hardware
Doors	Door is removable and can be replaced if damaged
	Door has a Quarter-Turn Wing Knob with CH751 Keyed Lock
	Door options include: - Single Solid Metal Door - Single Tempered Glass Door, with high impact .25" (6 mm) thick glass
Certifications/ Compliance	NEMA Type 12 and IEC 60529, IP 55
	All enclosures are: - UL Listed, Industrial Control Panel Enclosures, Type 12, File Number NITW.E473128 - UL Listed, Industrial Control Panel - UL Listed, Industrial Control Panel Enclosures for Canada, Type 12, File NITW7.E473128
	Enclosures without filter fans or air conditioners are: - UL Classified, Degrees of Protection by Enclosures Certified to IEC Publication, EOFI.E486325
	EIA-310-E (for 19" EIA equipment rails)
	Enclosure assembly is welded, welds are ground smooth and enclosure is finished with powder coat paint
Finishes	Color options: Black or Hammer Gray (RAL 7035)

Description	Wall-mounted enclosure with hinged, three-part design, certified with NEMA Type 12 and IP 55 ratings to protect IT automation and control equipment
Installation	Standard design features prepunched holes in rear section for use with lag bolts or machine screws
	Hardware washers feature gaskets and close-fit mounting holes to maintain NEMA Type 12 and IP 55 ratings Mounting brackets available
Equipment Support	All equipment support options are electrically bonded to the frame and painted to match enclosure
	Enclosures are comprised of three sections: a rear section that mounts to the wall, a center section that hinges open and a front door
	Each enclosure includes (4) PEM studs on the rear of the attaching a rear mounting panel
	Each center section includes punched attachment points along the sides spaced on 1"D (25 mm) increments and 1.75"H (44.45 mm) increments
	19" EIA (482.6 mm) Equipment Rails: - 12-24 tapped or square-punched mounting rails, 2 pairs - Adjustable depth; attaches to frame or optional horizontal support slides - Feature 1.75" (44.45 mm) U spacing (vertical), EIA-310-E Universal Hole Spacing - Electrically bonded to frame Rear Equipment Mounting Panel: - Attaches to the rear section of the enclosure Adjustable Depth Equipment Mounting Panel: - Attaches to center section
Airflow/Ventilation	Side Panels: - Optional square-shaped fan/filter opening on each side panel for quick installation access - Other penetration options available upon request
	Rear Section - Solid (no ventilation) - Upper and lower gland plates for fan/filter access - Nonrated brushes, sized to fit in place of gland plate - Other opening options available upon request
Grounding/Bonding Solutions	Door and rear section are bonded to the center section with ground jumpers
	Rear section includes a two-point connection for service grounding Grounding wires included on all enclosures
Cable Entry	Standard panels are solid
	Rear Section, top and bottom may include optional sealed openings with removable solid gland plates or brushed covers (brush covers change rating to NEMA Type 1)
Additional Accessories	Cable tie slots located on the mounting rails
	Optional Short Finger Cable Manager
	Optional Vertical Lashing Brackets Optional Front-to-Rear Lashing Bracket Kitting and optional preinstallation with accessory purchase



Cabinet is comprised of
- Front Door
- Center Section
- Rear Section

Equipment mounting options include:
- Fixed Depth Mounting Plate for Rear Section
- Adjustable Depth Mounting Plate for Center Section
- Multi-Mount (Square-Punched) mounting rails for Center Section

PRODUCT INFORMATION**NEMA Type 12 and IP 55 Ratings for Nonhazardous Indoor Locations**

Chatsworth Products (CPI) RMR Swing Wall-Mount Enclosure provides exceptional protection for network, communication, automation and control equipment in nonhazardous indoor locations. The RMR Swing Wall-Mount Enclosure features welded steel panels with robotically applied, formed-in-place foam gaskets and optional sealed cable entry points. These features effectively maintain the enclosure's NEMA 12 and IP 55 protection ratings, which certify that the equipment is protected from the intrusion of solid foreign objects such as dirt, dust, lint and fibers, as well as noncorrosive liquid such from dripping and light spray or splashing. The RMR Swing Wall-Mount Enclosure features a solid or windowed front door equipped with a CH751 key-latch for security purposes. The robust design of the RMR Swing Wall-Mount Enclosure protects personnel from hazardous moving parts and electrical equipment within the enclosure.

The RMR Swing Wall-Mount Enclosure is a completely sealed, solid enclosure that features many modification possibilities. Many ventilation and cooling options are available to meet airflow requirements, and multiple cable entry points and accessories are available for configuration with short lead time.

Accessible Three-Part Design

The RMR Swing Wall-Mount Enclosure features a three-part design with a solid rear section, hinged center section and a solid or windowed front door, equipped with a CH751 key-latch for security purposes. The enclosure's center section enables the front portion to release, swinging away from the wall section to provide front and rear access to equipment. This allows for quick installation and maintenance, which limits the amount of time that sensitive equipment is exposed to the environment. As a security measure to prevent unauthorized access, the center section of the RMR Swing Wall-Mount Enclosure is only accessible when the front door is unlatched.

Expanded Equipment Support

All RMR Enclosures feature configurations that include 19" EIA (482.6 mm) rails or mounting plates. These options ensure compatibility with a number of electronic installations that extend beyond communications and network devices to include automation and control equipment. Attachment points are punched around the interior perimeter of the frame, providing top-to-bottom, front-to-back and side-to-side mounting locations for accessories.

Enhanced Cable Management Options

The RMR Fixed Wall-Mount Enclosure may be ordered with top and/or bottom cable openings that are sealed with removable gland plates for NEMA Type 12 or IP 55 protection or a brush seal, which reduces protection rating to NEMA Type 1.

Many of CPI's top-rated accessories such as Short Finger Cable Mangers and Vertical Lashing Brackets are available for the RMR Swing Wall-Mount Enclosure. In addition, a Front-to-Rear Cable Lashing Bracket has been developed for use with the RMR Swing Wall-Mount Enclosure. This new accessory attaches to the frame and aligns with each U space to provide a dedicated front-to-rear pathway, preventing high volume cabling from dropping into the U space below.

Quality Airflow with Enhanced Environmental Protection

CPI can modify the standard RMR Swing Wall-Mount Enclosure with openings for filtered fan kits or closed-loop cooling units, while maintaining the enclosure's NEMA Type 12 and IP 55 protection ratings. Filtered fan kits mount to the enclosure's side panels and are available in a range of airflow specifications and voltages. A variety of cooling unit options is available to meet the demands of indoor NEMA Type 12 applications.

Modified Enclosures

CPI offers modified enclosures with short lead times. Additional sizes and colors are available. Specify a variety of openings for cable entry, controls and HMI. Select, kit or have CPI preinstall accessories, all in a manner that maintains NEMA Type 12 and IP 55 protection ratings. Contact CPI Technical Support to request a modified enclosure.

Interested in learning more about our RMR Industrial Enclosures? Call us at 800-834-4969 or email Technical Support at techsupport@chatsworth.com

RMR Swing Wall-Mount Enclosure Matrix:

A	3	-	H	W	D	FR	-	FD	RD	SP	L	-	C	BP	TP
1. Type															
Double-Hinged		3													
2. Height															
U	in	mm													
9	19.1	486	1												
12	24.4	619	2												
15	29.7	753	3												
18	34.9	886	4												
21	40.1	1019	5												
26	48.9	1241	6												
3. Width															
in	mm														
23.6	600	1													
27.6	700	2													
4. Depth															
in	mm														
20.0	510	A													
24.0	610	B													
29.9	760	C													
5. Frame Style															
Multi-Mount (Square-Punched) Rails, 1 Pair, 19" EIA (482.6 mm)		A													
Fixed Depth Mounting Plate		B													
Multi-Mount (Square-Punched) Rails, 1 Pair, 19"EIA and Fixed Depth Mounting Plate		C													
6. Front Door															
Single Solid Metal Door		1													
Single Tempered Glass Door		2													
7. Rear Door															
1 Not Applicable															
8. Side Panel															
1 Single Solid															
2 Intake Filter Fan, 4.9" (125 mm), 38 CFM (65 CMH), 115 VAC															
4 Cooling Unit, 900-1300 Btu/hr (263-381 W), 115 VAC															
9. Latch															
2 Quarter-Turn Wing Knob with CH751 Keyed Lock															
10. Color															
C Black															
G Hammer Gray RAL 7035															
11. Bottom Panel															
1 Solid															
2 Gland Plate															
3 Brush Gland															
12. Top Panel															
1 Solid															
2 Gland Top Plate															
3 Brush Gland															



For the full line of enclosure configurations, use the RMR Product Designer at www.chatsworth.com/product-designer. For additional assistance, contact Technical Support at 800-843-4969.

GENERAL ACCESSORIES



Mounting Plates for RMR Wall-Mount Enclosure Systems

Mounting Plates are flat panels that provide a way of attaching a variety of network, automation or control equipment devices into the enclosure for flexible support configurations.

- Fixed Mounting Plates are solid metal panels that are installed in a side-to-side orientation at the rear of the enclosure onto the back of the frame and can be ordered with the enclosure
- Adjustable Mounting Plates are solid metal panels that attach in a side-to-side orientation in the middle section of the enclosure and can be adjusted in depth by one-inch increments and are ordered as accessories

RMR Wall-Mount Enclosure Fixed Depth Mounting Plate					
Part Number Enclosure Width in (mm)		Enclosure Height in (mm)	Plate Height in (mm)	Plate Width in (mm)	Shipping Weight lb (kg)
23.6 (600)	27.6 (700)				
37075-X01	37075-X31	19.1 (486)	14 (356)	*	15 (6.9)
37075-X04	37075-X34	24.4 (619)	20 (508)	*	19 (8.7)
37075-X05	37075-X35	26.1 (664)	21 (534)	*	20 (9.1)
37075-X07	37075-X37	29.7 (753)	25 (635)	*	22 (10.0)
37075-X10	37075-X40	34.9 (886)	30 (762)	*	26 (11.8)
37075-X13	37075-X43	40.1 (1019)	35 (889)	*	30 (13.7)
37075-X18	37075-X48	48.9 (1241)	44 (1118)	*	36 (16.4)

X=Color; C=Black, G=Hammer Gray. *Plate width is 20"W (508 mm) for 23.6"W (600 mm) enclosures and 24"W (610 mm) for 27.6"W (700 mm) enclosures. *Shipping weights are for 27.6"W (700 mm) models.

RMR Wall-Mount Enclosure Adjustable Depth Mounting Plate					
Part Number Enclosure Width in (mm)		Enclosure Height in (mm)	Plate Height in (mm)	Plate Width in (mm)	Shipping Weight lb (kg)
23.6 (600)	27.6 (700)				
37076-X01	37076-X31	19.1 (486)	14 (356)	*	15 (6.9)
37076-X04	37076-X34	24.4 (619)	20 (508)	*	19 (8.7)
37076-X07	37076-X37	29.7 (753)	25 (635)	*	22 (10.0)
37076-X10	37076-X40	34.9 (886)	30 (762)	*	26 (11.8)
37076-X13	37076-X43	40.1 (1019)	35 (889)	*	30 (13.7)
37076-X18	37076-X48	48.9 (1241)	44 (1118)	*	36 (16.4)

X=Color; C=Black, G=Hammer Gray. *Plate width is 20"W (508 mm) for 23.6"W (600 mm) enclosures and 24"W (610 mm) for 27.6"W (700 mm) enclosures. *Shipping weights are for 27.6"W (700 mm) models.

RMR Quick Wall-Mounting Kit

RMR Quick Wall-Mounting Kit features a cleat design that allows for quick and easy mounting of the RMR Wall-Mount Enclosure.

Part Number	Width in (mm)	Shipping Weight lb (kg)
37045-X01	24 (610)	12 (5.5)
37045-X05	28 (712)	13 (5.9)

X=Color; C=Black, G=Hammer Gray.



Equipment Mounting Rails

Equipment Mounting Rails provide support for 19"EIA (482.6 mm) rack-mount equipment and can be ordered with the enclosure

- Attach to the frame of the enclosure
- Adjustable-depth, supports 19" EIA (482.6 mm) rack-mount equipment
- Universal (vertical) hole pattern, 1U are 1.75"H (44.45 mm)
- 12-24 tapped for screws or multi-mount (square-punched) for cage nuts
- Electrically bonded to the enclosure frame

RMR Wall-Mount Enclosure 19" EIA Multi-Mount (Square-Punched) Rails				
Part Number Enclosure Width in (mm)		Enclosure Height in (mm)	Rack Mount Space (U)	Shipping Weight lb (kg)
23.6 (600)	27.6 (700)			
37065-X01	37065-X31	19.1 (486)	9	6 (2.8)
37065-X04	37065-X34	24.4 (619)	12	7 (3.2)
37065-X07	37065-X37	29.7 (753)	15	8 (3.7)
37065-X10	37065-X40	34.9 (886)	18	8 (3.7)
37065-X13	37065-X43	40.1 (1019)	21	9 (4.1)
37065-X18	37065-X48	48.9 (1241)	26	10 (4.6)

X=Color; C=Black and G=Hammer Gray. Shipping weight is for 27.6"W (700 mm) models.



RMR Wall-Mount Enclosure 19" EIA 12-24 Tapped Rails				
Part Number Enclosure Width in (mm)		Enclosure Height in (mm)	Rack Mount Space (U)	Shipping Weight lb (kg)
23.6 (600)	27.6 (700)			
37067-001	37067-031	19.1 (486)	9	6 (2.8)
37067-004	37067-034	24.4 (619)	12	7 (3.2)
37067-007	37067-037	29.7 (753)	15	8 (3.7)
37067-010	37067-040	34.9 (886)	18	8 (3.7)
37067-013	37067-043	40.1 (1019)	21	9 (4.1)
37067-018	37067-048	48.9 (1241)	26	10 (4.6)

Finish is Brushed Aluminum. Shipping weight is for 27.6"W (700 mm) models.

RMR Wall-Mount Enclosure Lag Bolt Mounting Kit
Lag Bolt Mounting Kit includes (6) M8 x 40 mm Lag Bolts and Sealing Washers for attaching the enclosure to a plywood back board.

Part Number	Shipping Weight lb (kg)
37049-001	3 (1.4)



CABLE MANAGEMENT



RMR Wall-Mount Enclosure Short Finger Cable Manager

Short Finger Cable Manager is a T-shaped cable guide that creates a pathway for cables next to the rail for better organization. Use it with Front-to-Rear Lashing Bracket for optimum performance.

- Attaches to and adjusts with mounting rails
- Passes up to 24 cables per U space through openings on Short Finger Cable Manager
- Includes: Finger Cable Manager and installation hardware
- Material: Steel panels, plastic guides and latches

Part Number	Enclosure Height in (mm)	Rack-Mount Space (U)	Shipping Weight lb (kg)
37086-X01	19.1 (486)	9	5 (2.3)
37086-X04	24.4 (619)	12	5 (2.3)
37086-X07	29.7 (753)	15	5 (2.3)
37086-X10	34.9 (886)	18	6 (2.7)
37086-X13	40.1 (1019)	21	6 (2.7)
37086-X18	48.9 (1241)	26	7 (3.2)

X= Color; C= Black and G= Hammer Gray.



RMR Wall-Mount Enclosure Vertical Lashing Bracket

Vertical Cable Lashing Bracket creates a simple, separate vertical pathway for a small bundle of cables and has multiple slots for CPI Saf-T-Grip® Straps or tie wraps to secure cables to the bracket.

- May be installed in front of or behind the equipment mounting rails or on either side of the cabinet frame
- An array of slots compatible with zip-ties or Saf-T-Grip Cable Management Straps
- Bracket is 1.6"W (41 mm)
- Includes: Brackets, installation hardware; order Saf-T-Grips or cable ties separately
- Material: Steel
- Electrically bonded to the enclosure frame

Part Number	Height in (mm)	Shipping Weight lb (kg)
37082-X01	19.1 (486)	4 (1.5)
37082-X04	24.4 (619)	5 (2.3)
37082-X07	29.7 (753)	5 (2.3)
37082-X10	34.9 (886)	5 (2.3)
37082-X13	40.1 (1019)	6 (2.8)
37082-X18	48.9 (1241)	6 (2.8)

X= Color; C= Black and G= Hammer Gray.



RMR Swing Wall-Mount Enclosure Front-To-Back Rear Cable Lashing Bracket

Front to Rear Cable Lashing Bracket routes high volumes of cables from front-to-rear of the cabinet, preventing cabling from invading the U space below the cable run.

- Attaches to the frame to provide a dedicated front to rear pathway
- Includes: Trough and installation hardware
- Material: Steel bracket

Part Number	Depth in (mm)	Shipping Weight lb (kg)
37084-X01	20.0 (510)	4 (1.5)
37084-X02	24.0 (610)	4 (1.5)
37084-X03	29.9 (760)	5 (2.3)

X= Color; C= Black and G= Hammer Gray.



GROUNDING AND BONDING

RMR Wall-Mount Enclosure Grounding Lug Kit

Grounding Lug Kit includes a Two-Hole Compression Lug sized for a #6 AWG conductor with .375" (9.5 mm) holes spaced on 1" (25.4 mm) centers and mounting hardware. Attaches to the RMR Wall-Mount Enclosure frame to provide a bonding point for the enclosure.



Part Number	Description	Shipping Weight lb (kg)
37009-001	Ground Lug	2 (0.9)

RMR Wall-Mount Enclosure Busbar Kit

Busbar Kit includes a 19"L (482.6 mm), 3/4"H (19.1 mm), 3/16" thick (4.8 mm) hard-drawn electrolytic tough pitch 110 alloy copper bar with eight #6-32 tapped lug mounting holes on 1" (25.4 mm) centers, two insulators and mounting hardware. Attaches to the RMR Wall-Mount Enclosures on the back panel and provides a common bonding point



Part Number	Description	Shipping Weight lb (kg)
37008-001	Busbar Kit	4 (1.9)



SEALING ACCESSORIES

Roxtec Sealing Systems for RMR Enclosure Systems

Roxtec sealing solutions maintain the enclosure's NEMA Type 12 and IP 55 protection ratings around cable openings.

- Compact seals provide equipment protection against water, dust, insects and rodents
- Two-piece grommet assembly includes a frame and multidiameter modules that seal around cables
- Each grommet includes several modules to pass multiple cables of various diameters



Part Number	Roxtec Model Frame/ Modules	Cutout Size Width in (mm)	Depth in (mm)	# of Cables	Cable Diameter Range in (mm)	Shipping Weight lb (kg)
37912-001	ComSeal 10/10	2.2 (56)	5.8 (149)	20	.138 - .650 (3.5 - 16.5)	4 (1.9)
37913-001	ComSeal 15/3	2.4 (61)	7.6 (195)	3	1.102 - 1.693 (28 - 43)	4 (1.9)
37914-001	ComSeal 16/16	2.2 (56)	8.2 (209)	16	.138 - .650 (3.5 - 16.5)	4 (1.9)
37915-001	ComSeal 32/32	4.0 (103)	8.2 (209)	32	.138 - .650 (3.5 - 16.5)	5 (2.3)
RMR Gland Seal						
37916-001	RG M63/4	2.5 (63) Ø	.157 (4)	4	.138 - .650 (3.5 - 16.5)	4 (1.9)
37917-001	RG M63/9	2.5 (63) Ø	.157 (4)	9	.138 - .650 (3.5 - 16.5)	4 (1.9)

Note: On ComSeal, allow a 15 mm clearance around the cutout for securing the grommet to the enclosure. On RG M63, allow a 10 mm diameter space around the cutout for securing the grommet. The ComSeal frame is .59"H (15 mm). The RG M63 frame is 2 "H (51.5 mm). Refer to installation instructions for exact cutout dimensions.

RMR Wall-Mount Enclosure Brush Cable Entry Grommet

When NEMA Type 12 and IP 55 protection ratings are not essential, Brush Cable Entry Grommet helps block some dust and particles from entering through cable access holes, while providing easier access to cables. Place grommets at the bottom openings for optimum protection.

- Material: Metal backed strip brush, nylon bristles with EPDM layer, blastic brush holder



Part Number	Enclosure Width in (mm)	Opening Size Width in (mm)	Opening Size Depth in (mm)	Shipping Weight lb (kg)
37097-001	23.6 (600)	20.9 (532)	3.5 (89)	4 (1.9)
37097-005	27.6 (700)	20.9 (532)	3.5 (89)	4 (1.9)

RMR EPDM Snap-In Liquid Tight Grommet

Snap-In Liquid Tight Grommet keeps liquids from leaking through cable openings

- Meets NEMA Type 12 and IP 55 protection ratings
- Accepts a single cable with diameter range 1.06" - 1.38" (27-35 mm)
- Knock-out panel opening should be 1.98" (50 mm)
- Fits panel thickness range 0.05" - 0.20" (1.3-5.1 mm)



Part Number	Shipping Weight lb (kg)
37115-001	4 (1.9)

THERMAL MANAGEMENT ACCESSORIES

Thermal Management Accessories are ordered as service parts when selecting the enclosure. See enclosure ordering table on Page 4 for options.

OPTIONAL ACCESSORIES

Horizontal eConnect® PDUs

Horizontal eConnect® Power Distribution Units (PDUs) are intelligent power distribution devices with control and monitoring capabilities. Horizontal eConnect PDUs feature dimensions that are scaled to deliver intelligent power distribution to smaller, space-limited enclosures.

- Compatible with 19" EIA racks
- LCD display
- Branch/phase circuit breakers
- Supports temperature ratings up to 149°F (65°C)
- Built-in web interface to support remote monitoring and DCIM integration
- Remote PDU and branch/phase power monitoring (Monitored models)
- Individual, remote outlet control options (Switched models)



Monitored Horizontal eConnect PDUs									
Part Number		Input			Output		Dims - in (mm)		
Locking Outlets	Standard Outlets	Amp	kW*	Plug	Breakers (Magnetic)	Outlets	H	W	D
208 Volt Single-Phase - North America Models									
N/A	P3-5E1W1	20	3.3	L6-20P	1 X 2P 16A	(12) C13	2U	19" EIA (486.2)	10.1 (257)
N/A	P3-5F0Y3	30	4.9	L6-30P	2 x 2P 20A	(8) C13, (4) C19	2U	19" EIA (486.2)	10.1 (257)
N/A	P3-5F0W1	30	4.9	L6-30P	2 x 2P 20A	(12) C13	2U	19" EIA (486.2)	10.1 (257)
Switched Horizontal eConnect PDUs									
N/A	P5-5E1W1	20	3.3	L6-20P	1 X 2P 16A	(12) C13	2U	19" EIA (486.2)	10.1 (257)
N/A	P5-5F0Y3	30	4.9	L6-30P	2 x 2P 20A	(8) C13, (4) C19	2U	19" EIA (486.2)	10.1 (257)
N/A	P5-5F0W1	30	4.9	L6-30P	2 x 2P 20A	(12) C13	2U	19" EIA (486.2)	10.1 (257)

Notes: Horizontal PDUs that are 2U, 19"EIA are 3.5"H (89 mm) and 17"W (432 mm).
 * For kW column, all values are derated calculations per UL for use in North America. The Input Amp column lists the maximum rated value of the input plug/inlet and circuit breaker rating. UL/NEC regulatory code requires current ratings on product labels to be derated to 80% of the maximum rated values (for example: 20 Amp = 16 Amp on UL product label). For the Input kW column, all values are derated calculations per UL for use in North America. For 50A PDUs, the 50A CS8365C plug is rated for 50A, but maximum input is 35A (12.6 kw) on three breaker PDUs.



LED Light Kit

The LED Light Kit provides additional lighting inside the enclosure.

- 2 types available: On-off switch or motion sensor
- Voltage: 100 - 240 V, 50/60 Hz
- NEMA 1-15P power cord

Part Number	Description	Shipping Weight lb (kg)
DF0030-000000-001	On-off Switch	0.5 (0.2)
DF0031-000000-001	Motion Sensor	0.5 (0.2)

Interested in learning more about our RMR Industrial Enclosures? Call us at 800-834-4969, or email Technical Support at techsupport@chatsworth.com.



The Product Designer guides you through the steps and selections necessary to create an enclosure that meets your unique size requirements and thermal and cable management needs. You will get bills of material (BOM), drawings and sales documents automatically.

Go to www.chatsworth.com/product-designer to select your RMR Industrial Enclosure.