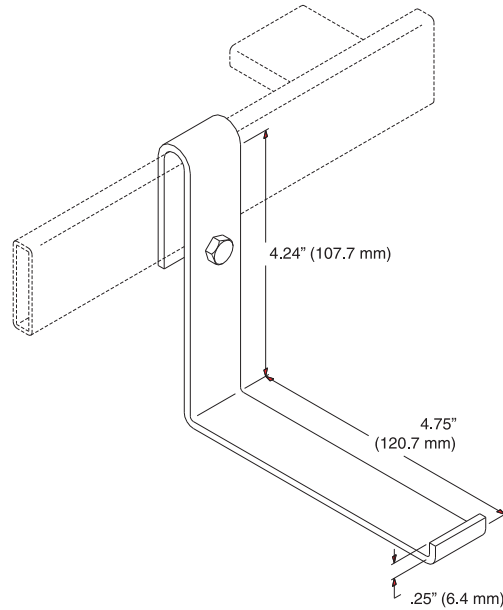


# Product Cut Sheet

## "L" BRACKET, CABLE RUNWAY

Bracket provides a separate facility for running power conductors or other cables that should be physically separated from main cables.

- Made of 1/8" x 1" steel. Gold finish/color over zinc plating
- Kit consists of 1 each:
  - Bracket for 1-1/2" stringer
  - 1/4-20 x 3/4" hex bolt



Part Number	Description	Shipping Weight
11268-001	"L" Bracket	1 lb

800-834-4969 in U.S. & Canada • [www.chatsworth.com](http://www.chatsworth.com)



CHATSWORTH PRODUCTS, INC.

©2010 Chatsworth Products, Inc. All rights reserved. CPI, CPI Passive Cooling, MegaFrame, Saf-T-Grip, Seismic Frame, SlimFrame, TeraFrame, Cube-iT Plus, Evolution, OnTrac, and QuadraRack are federally registered trademarks of Chatsworth Products, Inc. GlobalFrame, Simply Efficient and Velocity are trademarks of Chatsworth Products, Inc. All other trademarks belong to their respective companies. 12/10