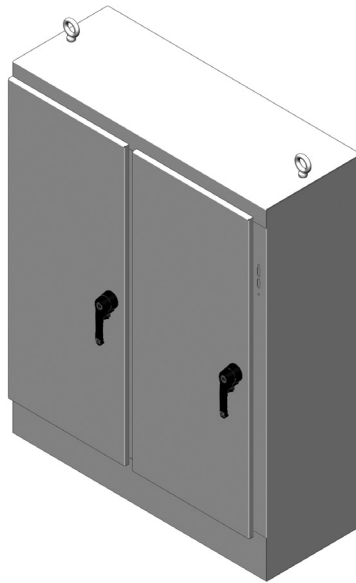


# RMR® Flange-Mount Disconnect Enclosure, Free-Standing

**RMR® Flange-Mount Disconnect Enclosure, Free-Standing, provides NEMA Type 4 or 4X protection for large electronic components and controls that require sturdy mounting. It is designed to house major brands of disconnect switches and circuit breakers.**



## KEY FEATURES

- CPI Product Designer tool quickly configures a complete kit
- Continuous formed-in-place foam gasket technology
- Standard cutout on the right flange provides mounting for major brands of disconnect switches and circuit breakers
- Mechanical interlock ensures door(s) remain in the closed position when the disconnect switch is energized.
- Solid single or double door with 3-point latch and heavy-duty padlock swinghandle(s). Auxiliary ¼-turn latches are included on top and bottom of enclosures that are 31"W (787 mm) or wider
- Mounting channels along both sides, top and bottom provide adjustable depth mounting locations for mounting plates
- Three lock styles available: keyed, double bit and square
- Grounding and bonding studs included on doors and frame; optional grounding and bonding kit sold separately to bond enclosure to the plate.
- Powder-coated paint or stainless steel Type 304 in No. 4 brushed finish

## ADVANTAGES

- ➔ Continuous formed-in-place foam gasket technology and stainless steel option meets NEMA Type 4 or 4X protection ratings for indoor and outdoor locations
- ➔ CPI Product Designer, free online configurator, allows quick selection of sizes and design configurations to match most requirements
- ➔ Mounting channels allow mounting plate (ordered separately) to be installed front-to-rear within the enclosure
- ➔ Various accessory options support indoor and outdoor use
- ➔ Stainless steel option provides NEMA Type 4X with high corrosion resistance

## SPECIFICATIONS

|                    |   |
|--------------------|---|
| Description        | Industrial control enclosure for use in indoor and outdoor applications. Protects equipment against the ingress of dust, lint and other debris, as well as varying levels of protection against liquids, including an option for an additional level of protection against corrosion  |
| Industry Standards | <p>NEMA Type 4, for outdoor use, is mild steel and protects against dirt, rain, sleet, snow, splash and hose down with noncorrosive liquid. It also meets NEMA Type 1, 3, 5, 12; and NEMA Type 2 and 3R with drain hole.</p> <p>Type 4 Enclosures are:</p> <ul style="list-style-type: none"> <li>- UL Listed, Industrial Control Panel Enclosures, Type 1, 2, 3, 3R, 4, 5 and 12; File Number NITW.E473128</li> <li>- UL Listed, Industrial Control Panel Enclosures for Canada, Type 1, 2, 3, 3R, 4, 5 and 12, File NITW7.E473128</li> <li>- UL Classified to IP 66 Degrees of Protection by Enclosures Certified to IEC Publication, EOFI.E486325 RoHS, REACH</li> </ul> <p>NEMA Type 4X, for outdoor or indoor use, is stainless steel and protects against dirt, rain, sleet, snow, splashing and hose-directed water, along with an increased level of corrosion protection. It also meets NEMA Type 1, 3, 3X, 5, and 12 and NEMA Type 2, 3R, and 3RX with drain hole.</p> <ul style="list-style-type: none"> <li>- NEMA Type 4X Enclosures are stainless steel Type 304 in No. 4 brushed finish</li> </ul> |
| Overall Dimensions | Specific to each enclosure; see ordering information on following pages   |

Availability: US, Canada, Latin America, Europe and Middle East

### US & Canada

+1-800-834-4969  
 Toronto, Ontario, Canada  
 +905-850-7770  
 chatsworth.com  
 techsupport@chatsworth.com

### Latin America

+52-55-5203-7525  
 Toll Free within Mexico  
 01-800-01-7592  
 chatsworth.com.co

### Europe

+44-1628-524-834  
 chatsworth.com

### Middle East & Africa

Dubai, UAE  
 +971-4-2602125  
 chatsworth.ae

### Asia Pacific

+86 21 6880-0266  
 chatsworth.com.cn



CHATSWORTH  
 PRODUCTS

SPECIFICATIONS

|                            |  |
|----------------------------|--|
| Materials and Construction | <p>Frame:</p> <ul style="list-style-type: none"> <li>- Welded, mild-steel or stainless steel frame</li> <li>- Standard cutout on right flange provides mounting for most types of disconnects switches and circuit breakers</li> <li>- Mounting channels along the top, bottom and sides of enclosure's interior</li> <li>- Heavy-duty lifting eye bolts on top: (2) on enclosures 24"W (610 mm) or less, and (4) on enclosures wider than 24"W (610 mm)</li> <li>- Optional solid, removable mounting plate (ordered separately)</li> </ul> |
|                            | <p>Door:</p> <ul style="list-style-type: none"> <li>- Solid single or double door; 3-point latch mechanism; auxiliary ¼-turn latch for enclosures that are 31"W (787 mm) or wider ; concealed hinges</li> <li>- Black powder-coated, zinc die cast, heavy-duty padlock defeater handle</li> <li>- Bonding stud and wire included</li> </ul> <p>Continuous formed-in-place foam gaskets around door opening</p>   |
| Finishes                   | Mild-steel enclosures are painted Hammer Gray (RAL 7035), Gray ANSI 61, Black or stainless steel type 304 in No. 4 brushed finish. Additional finish options available upon request  |
| Compliance                 | NEMA Type 1, 2, 3, 3R, 4, 4X, 5, and 12; IP 55 and IP 66   |
| Installation               | Sealed enclosure, no provisions for attaching to structure<br>Field-modify to secure to building structure   |

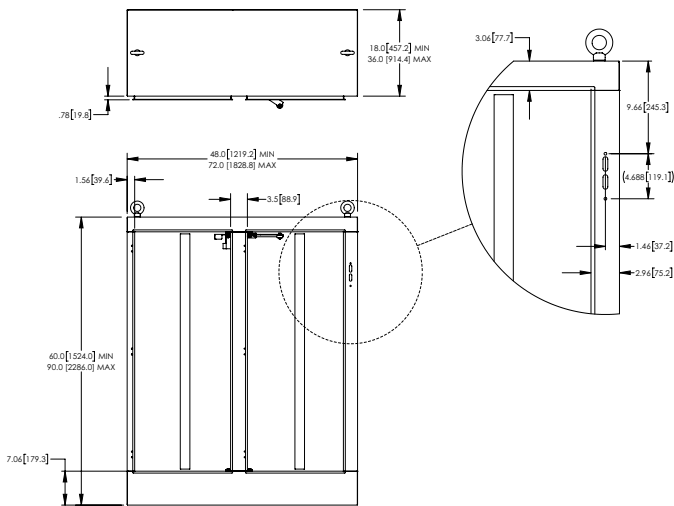
NEMA Type 4 or 4X Ratings for Any Location

RMR Flange-Mount Disconnect Enclosures, Free-Standing, by Chatsworth Products (CPI) provide exceptional material ingress protection for panel-mount networking, automation, control and instrumentation equipment in indoor and outdoor locations.

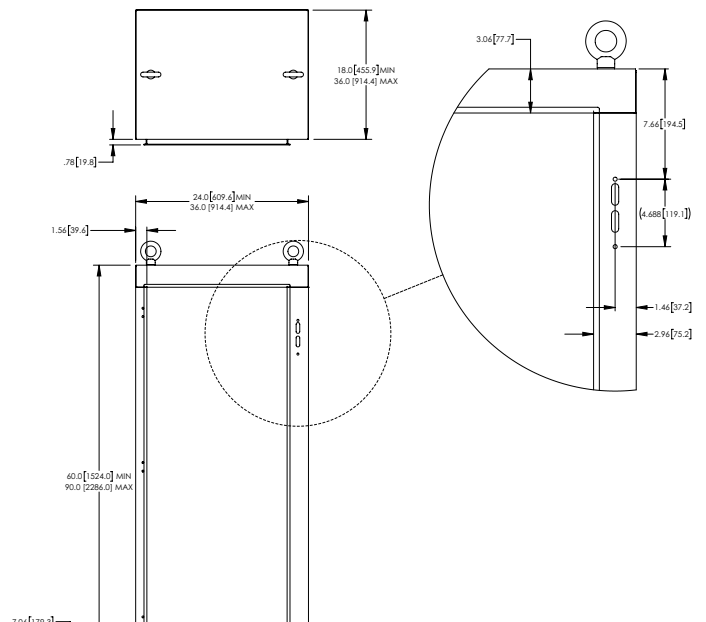
Stainless steel enclosures provide Type NEMA 4X protection ratings, with an added layer of protection against corrosion.

DIMENSIONS

RMR Flange-Mount Disconnect Enclosure, Free-Standing, Type 4 or 4X with Solid Double Door (Series A31, mild steel; Series A71, stainless steel)



RMR Flange-Mount Disconnect Enclosure, Free-Standing, Type 4 or 4X with Solid Single Door Series, (A32, mild steel; Series A72, stainless steel)

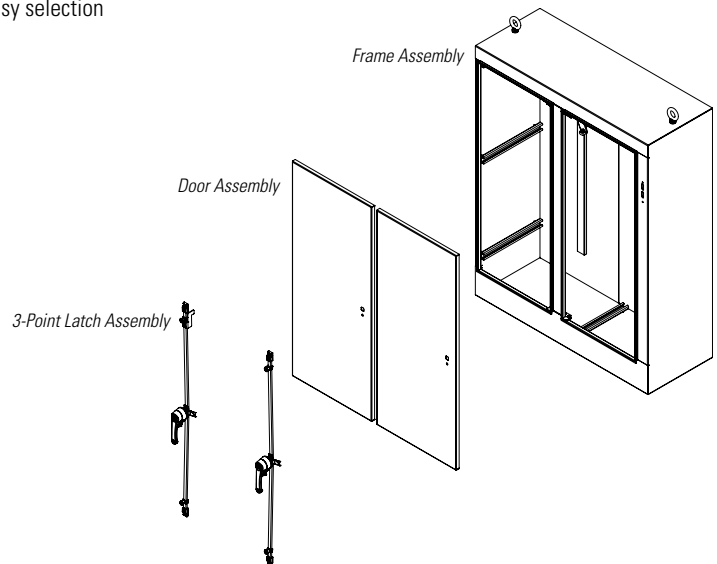
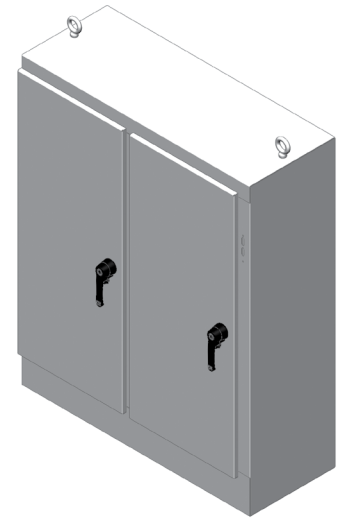


**ORDERING INFORMATION**

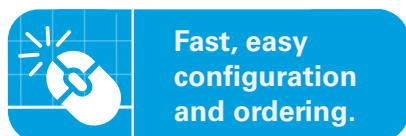
**RMR Flange-Mount Disconnect Enclosure, Free-Standing, Type 4 or 4X with Solid Double Door**

NEMA Type 4 or 4X enclosures are for either indoor or outdoor use and protects against dirt, rain, sleet, snow, splash and hose down with liquids. Stainless steel enclosures provide Type 4X protection ratings with an increased level of corrosion resistance.

- Designed to meet NEMA Type 4 or 4X applications. Also meets NEMA Type 1, 2, 3, 5, 12 and 3R with drain hole (hole must be between 1/8" to 1/4" (3 mm - 6 mm))
- Standard cutout accepts most standard disconnect handles
- Solid double doors and center beam. Removable center beam provides convenient installation of mounting plate
- 3 lock styles: keyed CH751, double bit and square
- Latch style: 3-point mechanism with heavy-duty padlock defeater handle. Auxiliary ¼-turn latches are added on top and bottom of enclosures that are 31"W (787 mm) or wider
- Min and max height: 60"H - 90"H (1524 mm - 2286 mm)
- Min and max widths: 48"W - 72"W (1219 mm - 1829 mm)
- Min and max depths: 18"D - 36"D (457 mm - 914 mm)
- UL Listed Type 4 enclosures available in powder-coated paint finish in: Gray ANSI 61, Hammer Gray RAL7035 and Black. NEMA Type 4X enclosures are available in stainless steel Type 304 in No. 4 brushed finish
- 4 eye bolts are included with enclosures that are over 24"D (610 mm)
- Order mounting plate(s) separately; use CPI Product Designer for quick and easy selection
- Series A31, mild steel, and Series A71, stainless steel, families of enclosures



**Additional Sizes Available Online**



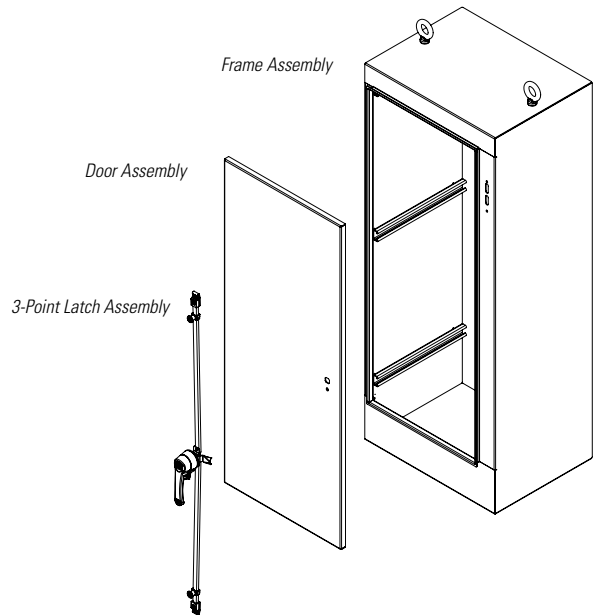
CPI Product Designer creates unique industrial enclosures quickly and easily by allowing you to select the size, features and accessories needed for a specific application. Access this tool at [www.chatsworth.com/product-designer](http://www.chatsworth.com/product-designer).

**ORDERING INFORMATION**

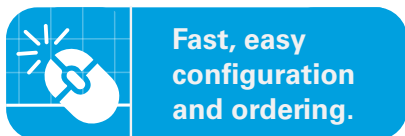
**RMR Flange-Mount Disconnect Enclosure, Free-Standing, Type 4 or 4X with Solid Single Door**

NEMA Type 4 or 4X enclosures are for either indoor or outdoor use and protect against dirt, rain, sleet, snow, splash and hose down with liquids. Stainless steel enclosures provide Type 4X protection ratings with an increased level of corrosion resistance.

- Designed for NEMA Type 4 or 4X applications. Also meets NEMA Type 1, 2, 3, 5 and 3R with drain hole (hole must be between 1/8" to 1/4" (3 mm - 6 mm).
- Standard cutout accepts most standard disconnect handles
- 3 lock styles: keyed CH751, double bit and square
- Latch styles: 3-point mechanism with heavy-duty padlock defeater handle. Auxiliary ¼-turn latches are added on top and bottom of enclosures that are 31"W (787 mm) or wider
- Min and max height: 60"H - 90"H (1524 mm - 2286 mm)
- Min and max widths: 24"W - 36"W (610 mm - 914 mm)
- Min and max depths: 18"D - 36"D (457 mm - 914 mm)
- UL Listed Type 4 enclosures available in powder-coated paint finish in: Gray ANSI 61, Hammer Gray RAL7035 and Black. NEMA Type 4X enclosures are available in stainless steel Type 304 in No. 4 brushed finish
- 4 eye bolts are included with enclosures that are over 24"D (610 mm)
- Series A32, mild steel, and Series A72, stainless steel, families of enclosures



**Additional Sizes Available Online**



CPI Product Designer creates unique industrial enclosures quickly and easily by allowing you to select the size, features and accessories needed for a specific application. Access this tool at [www.chatsworth.com/product-designer](http://www.chatsworth.com/product-designer).

GENERAL ACCESSORIES



Use the Product Designer to add accessories to your enclosure, or order them separately as shown below.

Go to [www.chatsworth.com/product-designer](http://www.chatsworth.com/product-designer) to select your RMR Industrial Enclosure.



**Solid Mounting Plates**

Solid Mounting Plates are solid metal panels that are installed at the rear of the enclosure frame. A variety of network, automation and control equipment devices can be installed onto the mounting plate for flexible support configurations.

**Go to the CPI Product Designer to get the right mounting plate size automatically specified for you.**



**RMR Enclosure Grounding and Bonding Kit**

The RMR Enclosure Grounding and Bonding Kit adds additional bonding capacity to the enclosure or to bond the optional mounting plate to the enclosure.

- Includes jumpers and hardware
- Compatible with RMR Floor-Mount, RMR Free-Standing and RMR Standard Wall-Mount Enclosures

| Part Number       | Shipping Weight lb (kg) |
|-------------------|-------------------------|
| DF0023-000000-001 | 0.5 (0.2)               |



**RMR Enclosure Threaded Drain Plug Kit**

The RMR Enclosure Threaded Drain Plug Kit allows accumulated or condensed water to drain out the bottom of the enclosure. The drain plugs vent air out of the enclosures, helping to equalize air pressure. Install drains at the bottom of the enclosures.

- Kit includes vent drain, mesh and retaining nut
- Compatible with all RMR Enclosures

| Part Number       | Shipping Weight lb (kg) |
|-------------------|-------------------------|
| DF0025-000000-001 | 1 (0.5)                 |

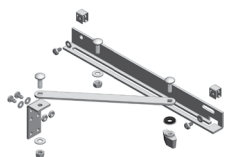


**RMR Enclosure XL Polyvent Protective Vent Kit**

The RMR Enclosure XL Polyvent Protective Vent Kit provides ventilation and equalizes air pressure in the event of drastic temperature changes. Pressure equalization is essential to protect the enclosure seal from damage. Installation hardware included.

- Kit includes vent and retaining nut
- Compatible with all RMR Enclosures

| Part Number       | Shipping Weight lb (kg) |
|-------------------|-------------------------|
| DF0028-000000-001 | 0.5 (0.2)               |

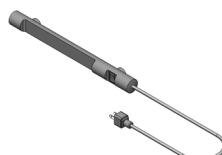


**RMR Enclosure Door Stop Kit**

The RMR Enclosure Door Stop Kit secures the door of the enclosure in the open position. It can be mounted on either left- or right-hinged doors. Includes mounting hardware.

- Kit includes door stop and mounting hardware
- Compatible with RMR Floor-Mount, RMR Free-Standing and RMR Standard Wall-Mount Enclosures

| Part Number       | Shipping Weight lb (kg) |
|-------------------|-------------------------|
| DF0022-000000-001 | 4 (2.2)                 |



DF0030-000000-001



DF0031-000000-001

**LED Light Kit**

The LED Light Kit provides additional lighting inside the enclosure.

- 2 types available: On-off switch or motion sensor
- Voltage: 100 - 240 V, 50/60 Hz
- NEMA 1-15P power cord

| Part Number       | Description   | Shipping Weight lb (kg) |
|-------------------|---------------|-------------------------|
| DF0030-000000-001 | On-off Switch | 0.5 (0.2)               |
| DF0031-000000-001 | Motion Sensor | 0.5 (0.2)               |



**RMR Enclosure Drip Shield Assembly**

Required to meet NEMA Type 3R when using a NEMA Type 12 enclosure. It is used to provide additional protection against ice and rain.

**Go to CPI Product Designer to configure an RMR Enclosure with Drip Shield Assembly.**

Interested in learning more about our RMR Industrial Enclosures? Call us at 800-834-4969, or email Technical Support at [techsupport@chatsworth.com](mailto:techsupport@chatsworth.com).



CHATSWORTH PRODUCTS

While every effort has been made to ensure the accuracy of all information, CPI does not accept liability for any errors or omissions and reserves the right to change information and descriptions of listed services and products. ©2019 Chatsworth Products, Inc. All rights reserved. Chatsworth Products, Click-Nut, CPI, CPI Passive Cooling, eConnect, Evolution, GlobalFrame, MegaFrame, Motive, QuadraRack, RMR, Saf-T-Grip, Secure Array, SeismicFrame, SlimFrame, TeraFrame and Velocity are federally registered trademarks of Chatsworth Products. CUBE-IT, EuroFrame and Simply Efficient are trademarks of Chatsworth Products. All other trademarks belong to their respective companies. 07/19 MKT-60020-717